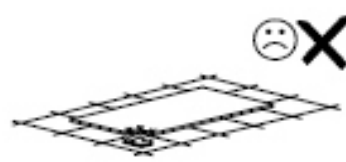
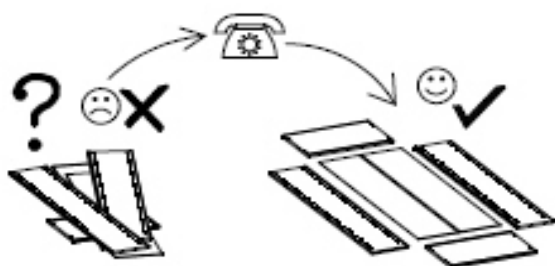
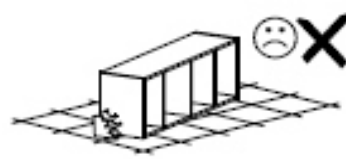
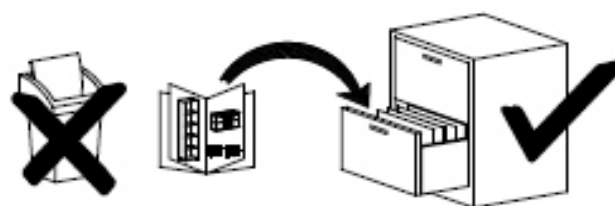
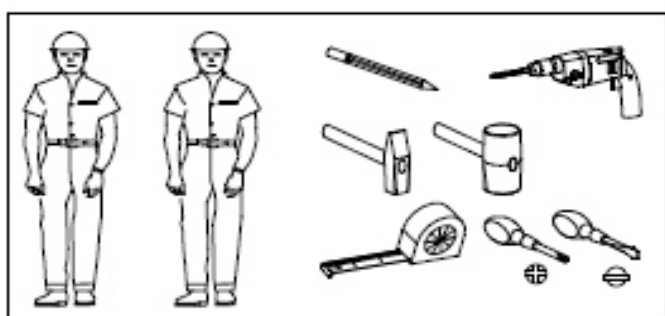
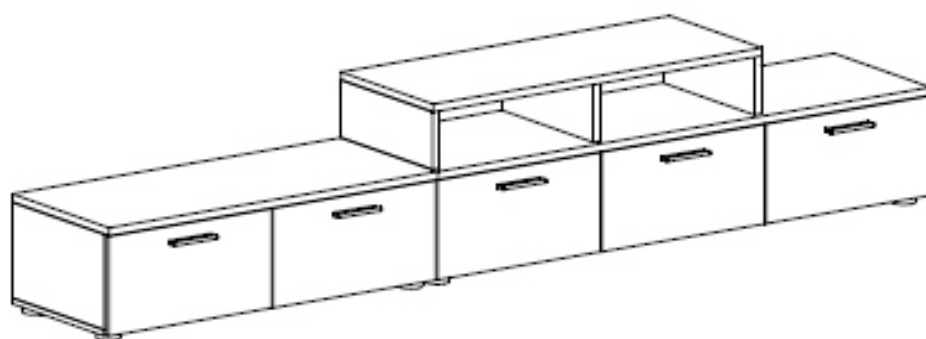
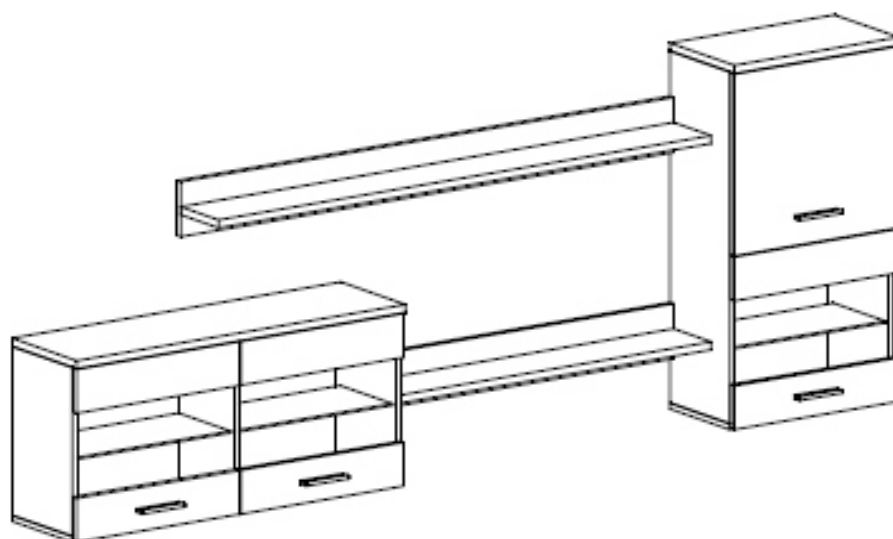
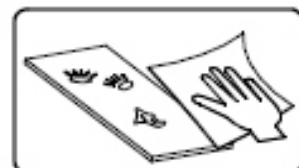
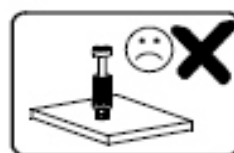
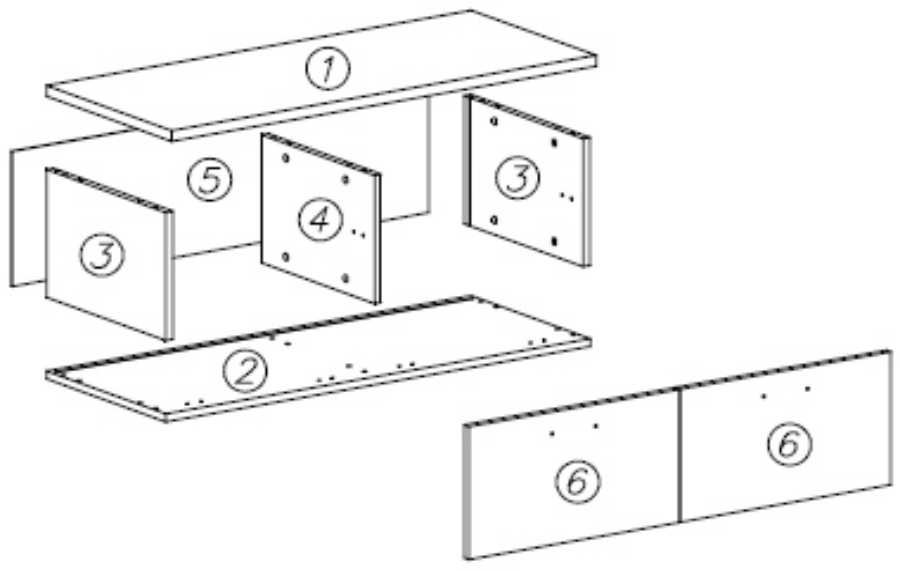
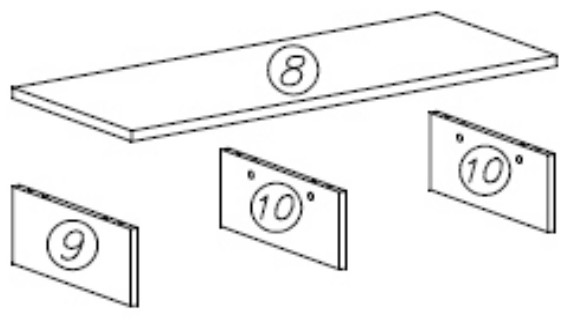
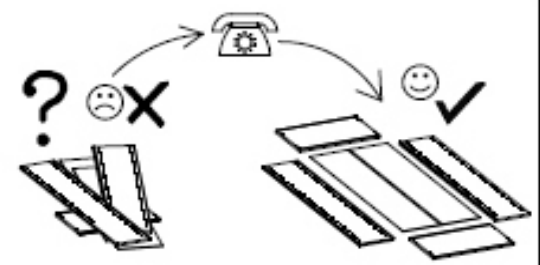
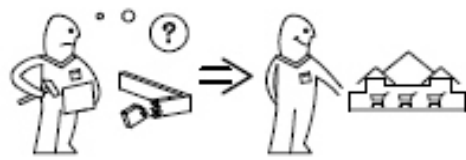
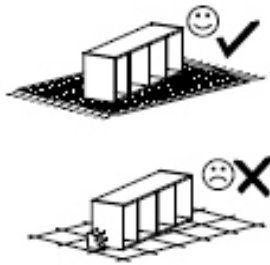


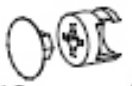

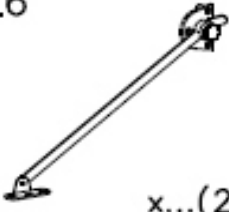









LEO

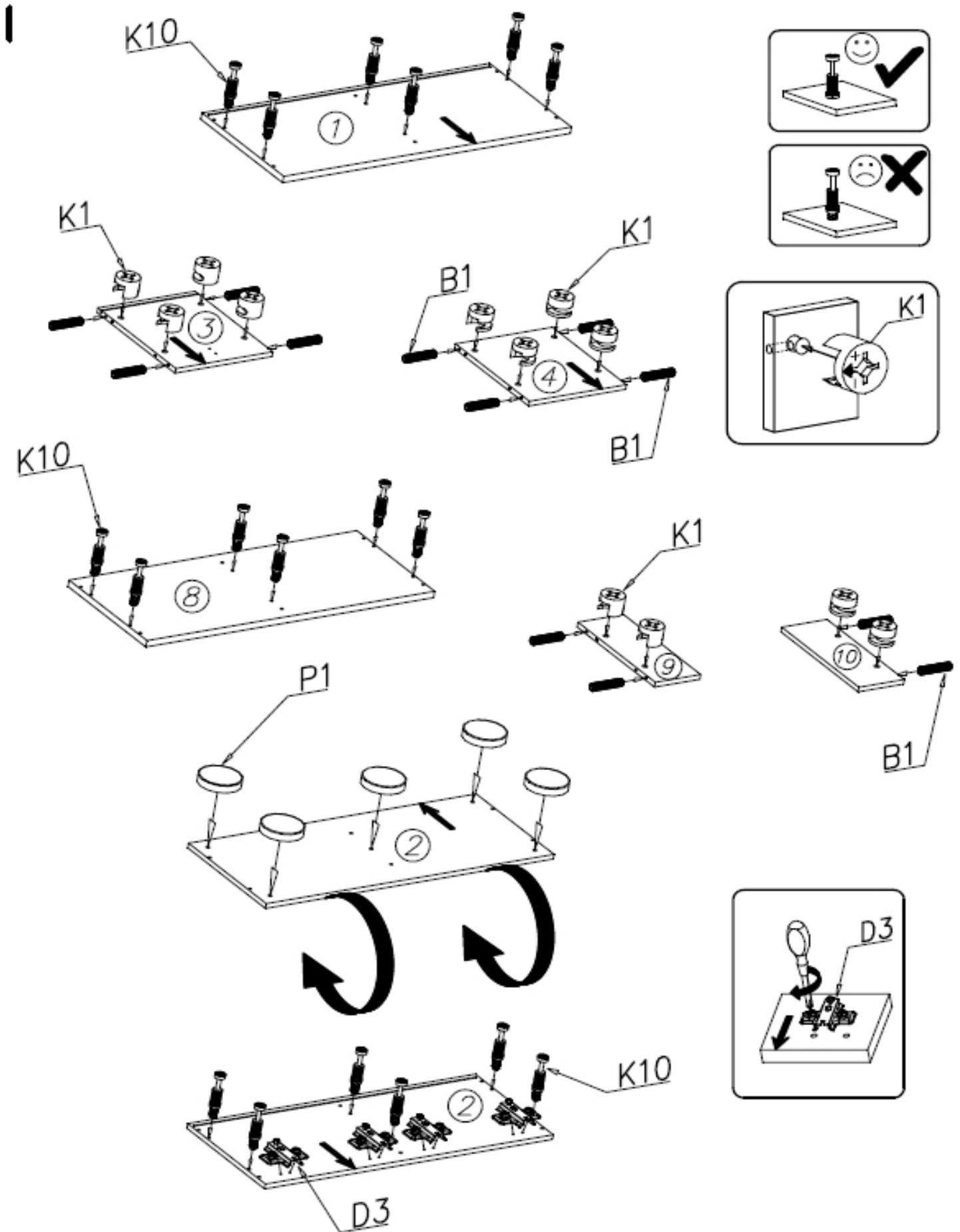


3,5h



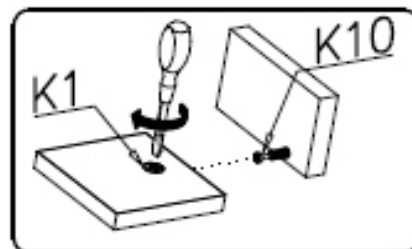
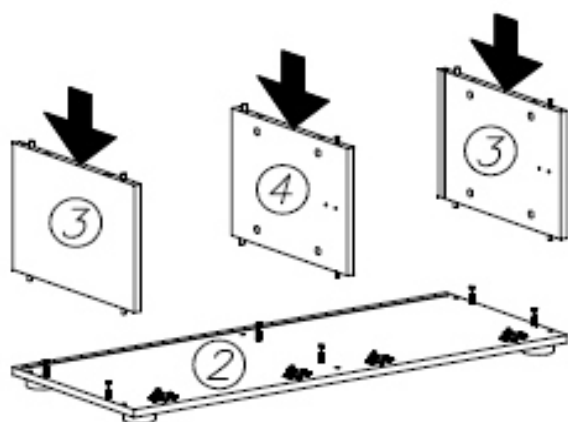


K1  ø15x12 x...(18)	G8  4x30 x...(4)	L6  x...(2)	P1  x...(5)	G21  3x16 x...(9)
K10  x...(18)	B1  ø8x35 x...(18)		I1  x...(6)	G36  3,5x13 x...(14)
		C3  Z35PR x...(4)	D3  PZ35PR x...(4)	E1  128mm x...(2)

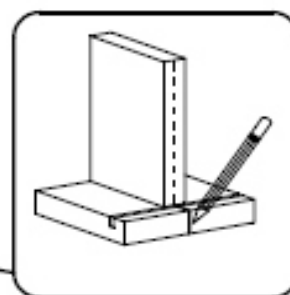
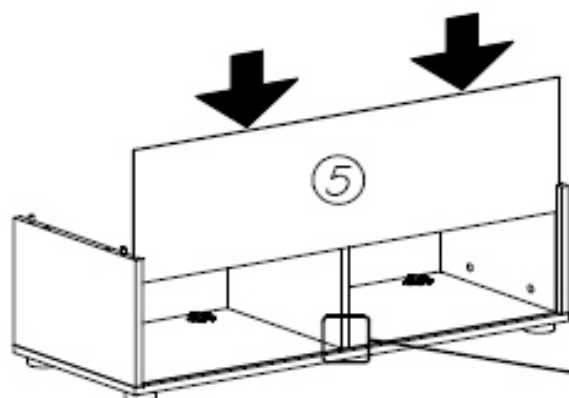




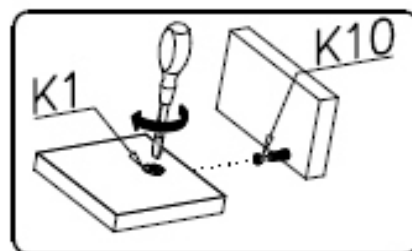
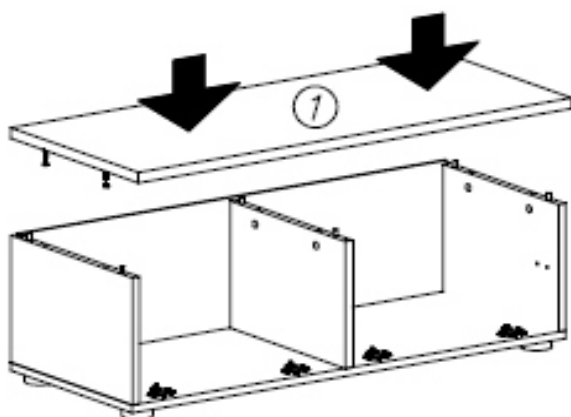
II

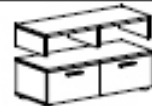


III

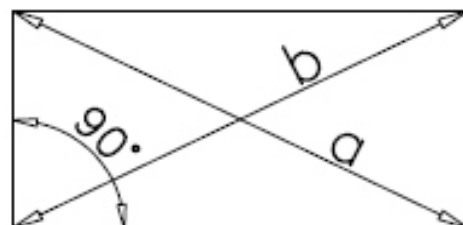
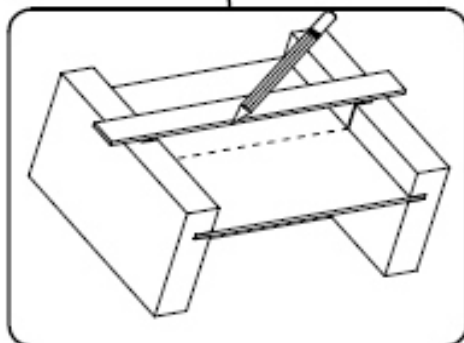
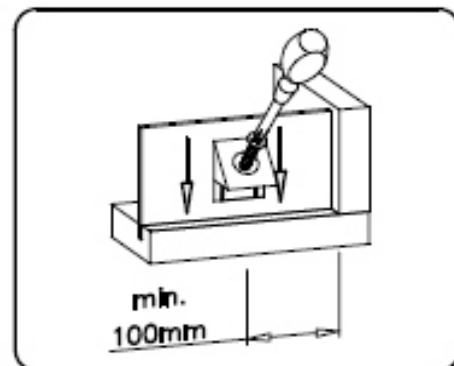
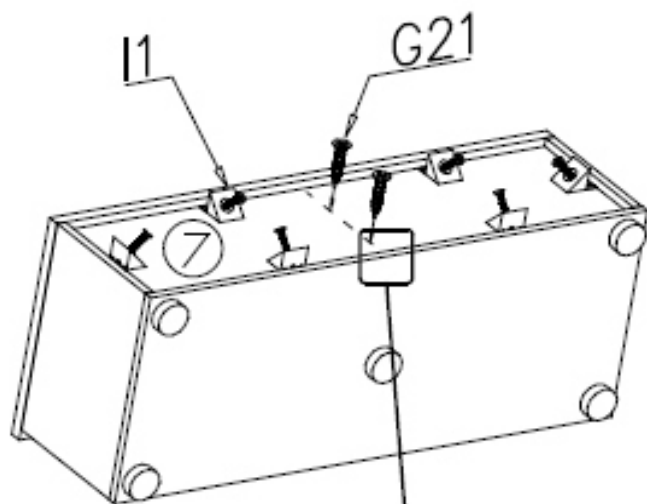


IV



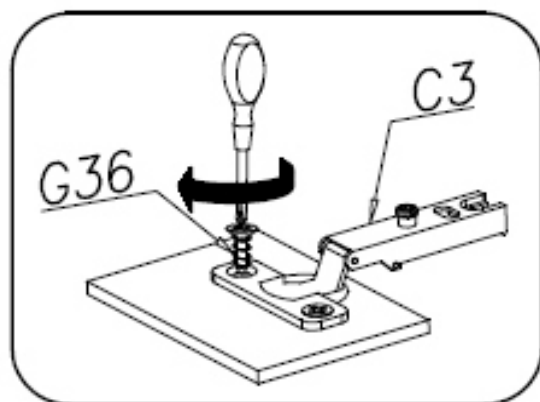
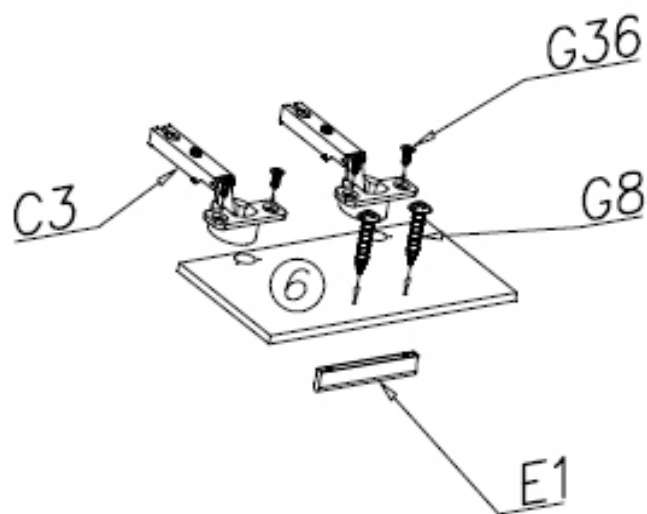


V



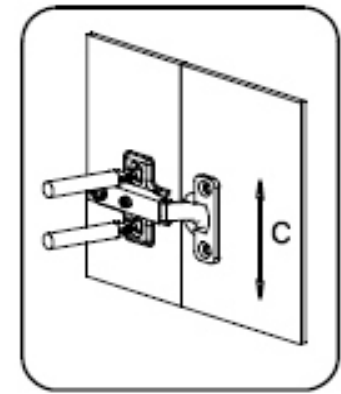
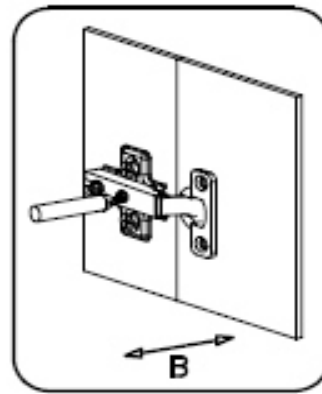
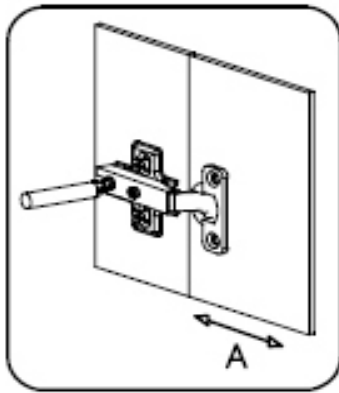
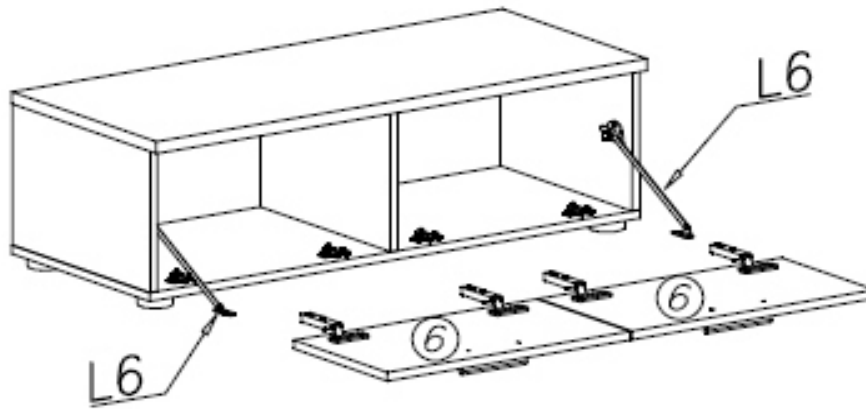
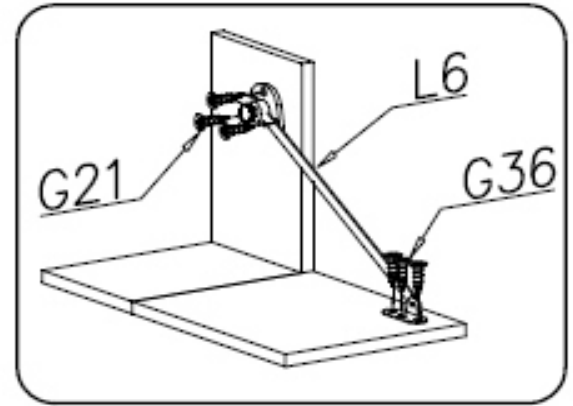
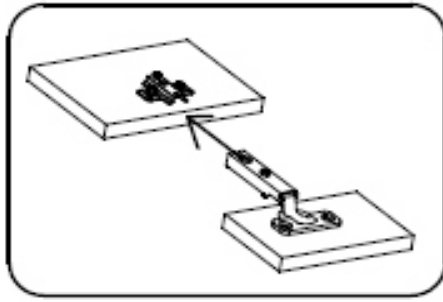
$$a = b$$

VI

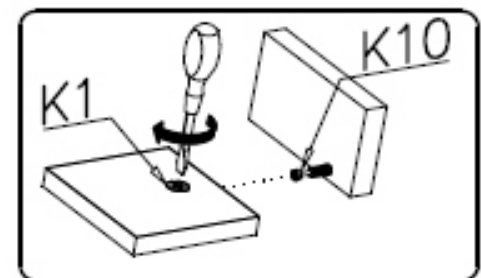
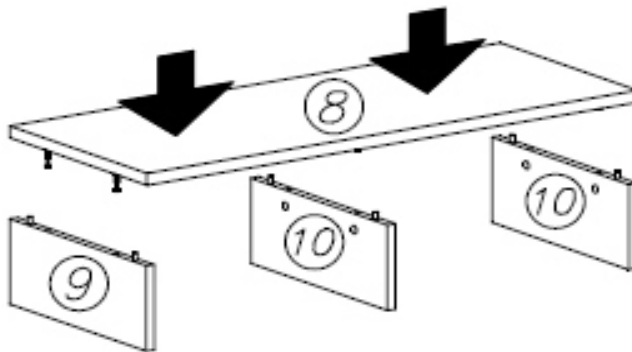


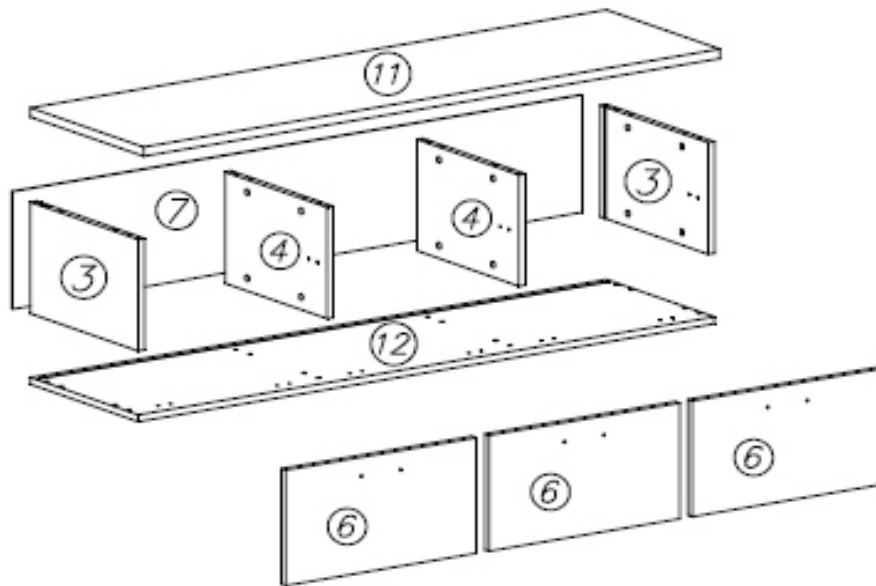
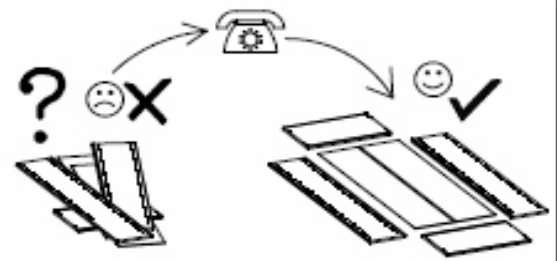
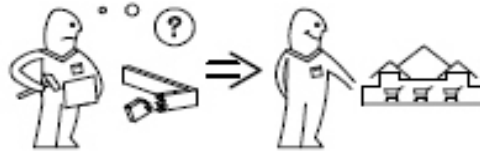
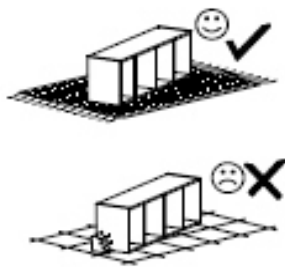


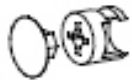
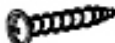
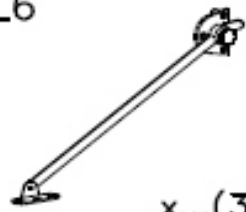









VII



VIII

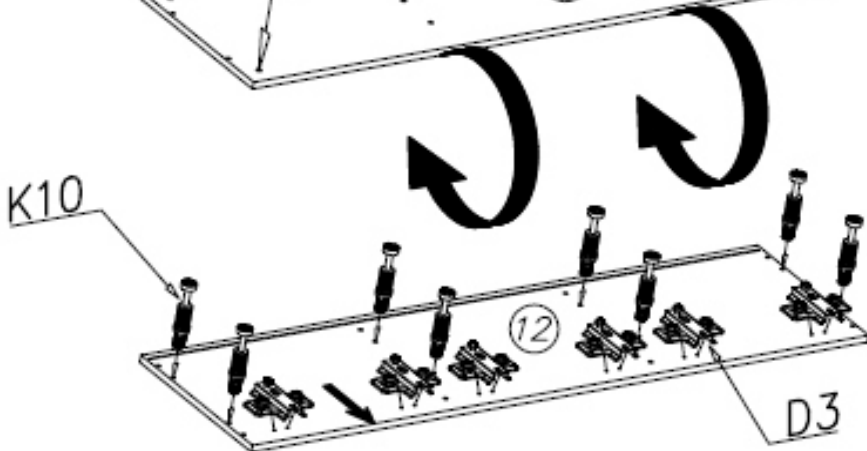
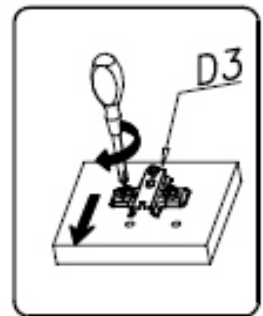
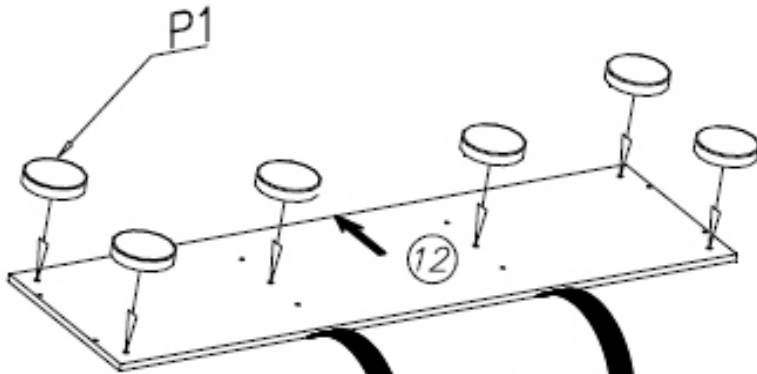
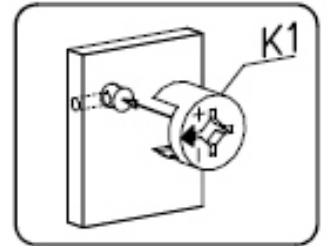
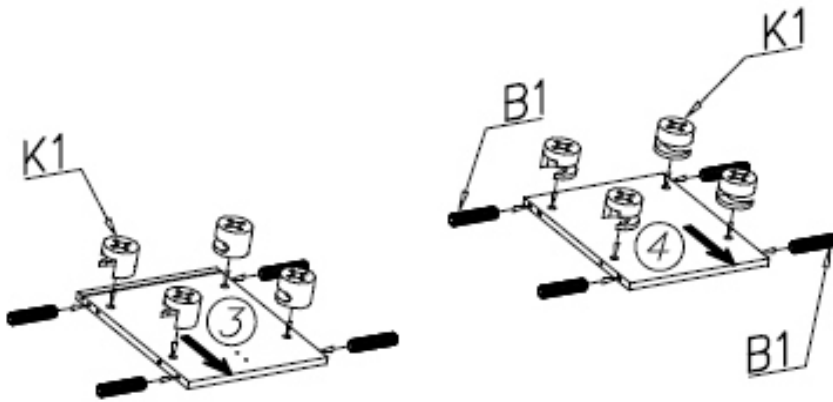
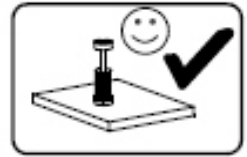
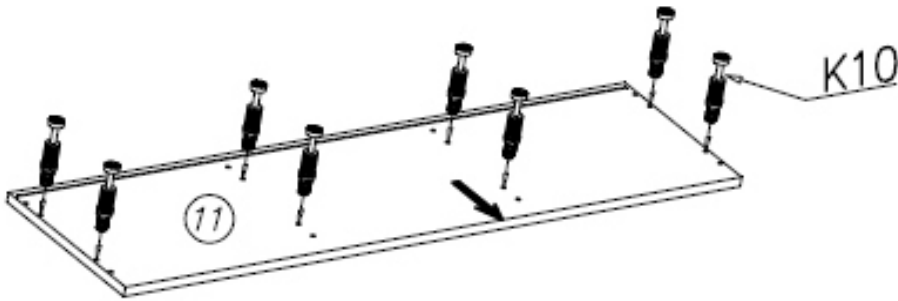




K1  Ø15x12 x...(16)	G8  4x30 x...(6)	L6  x...(3)	P1  x...(6)	G21  3x16 x...(15)
K10  x...(16)	B1  Ø8x35 x...(16)		I1  x...(8)	G36  3,5x13 x...(21)
		C3  Z35PR x...(6)	D3  PZ35PR x...(6)	E1  128mm x...(3)

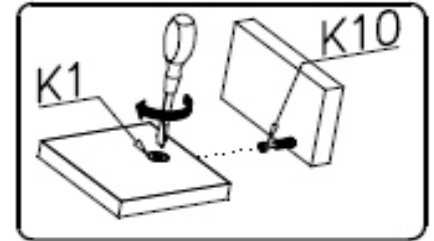
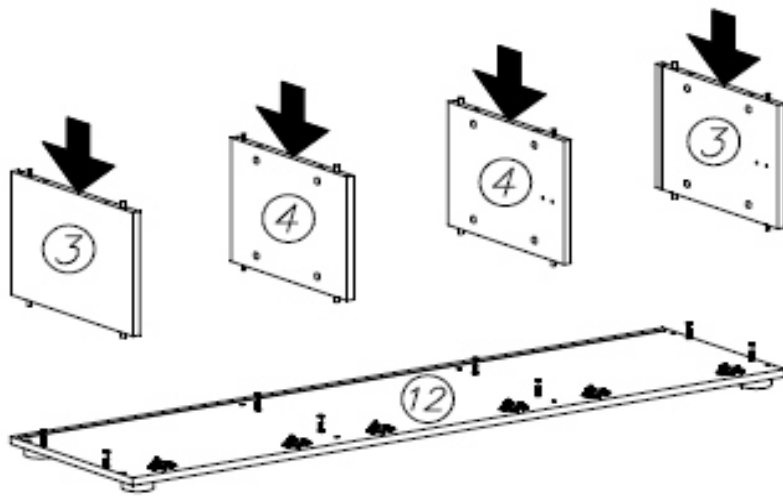


I

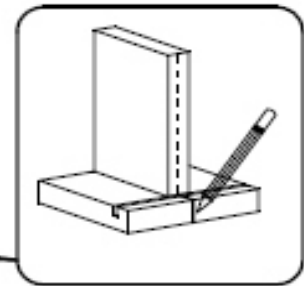
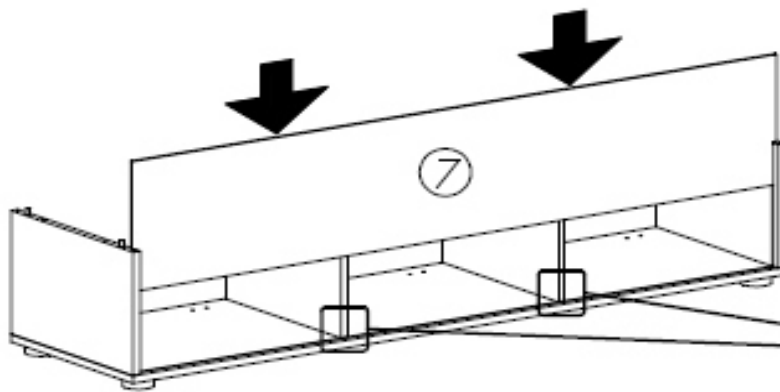




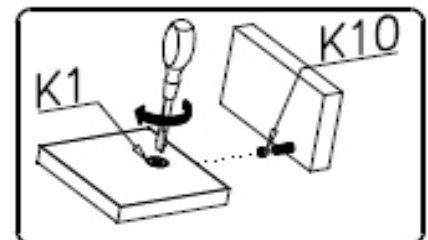
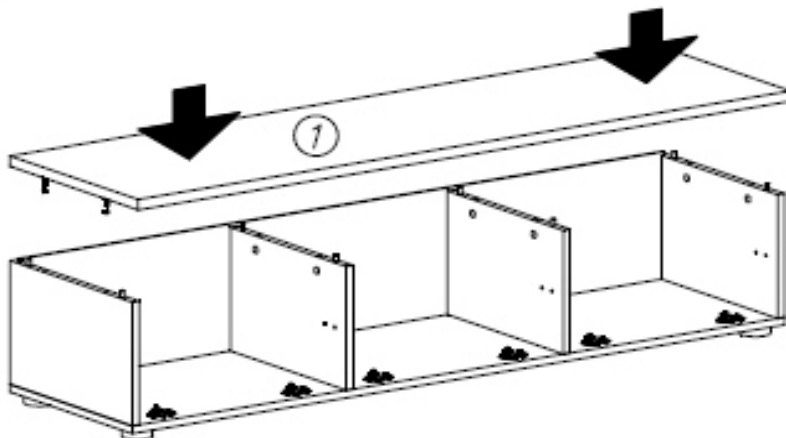
II



III

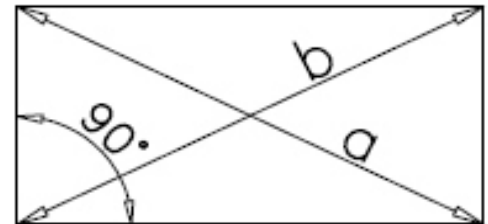
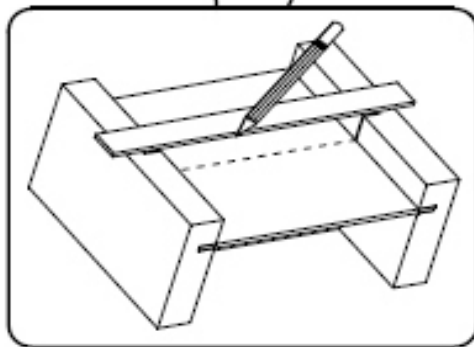
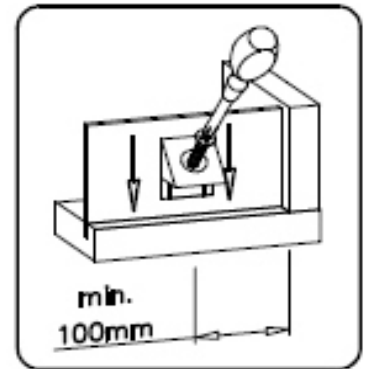
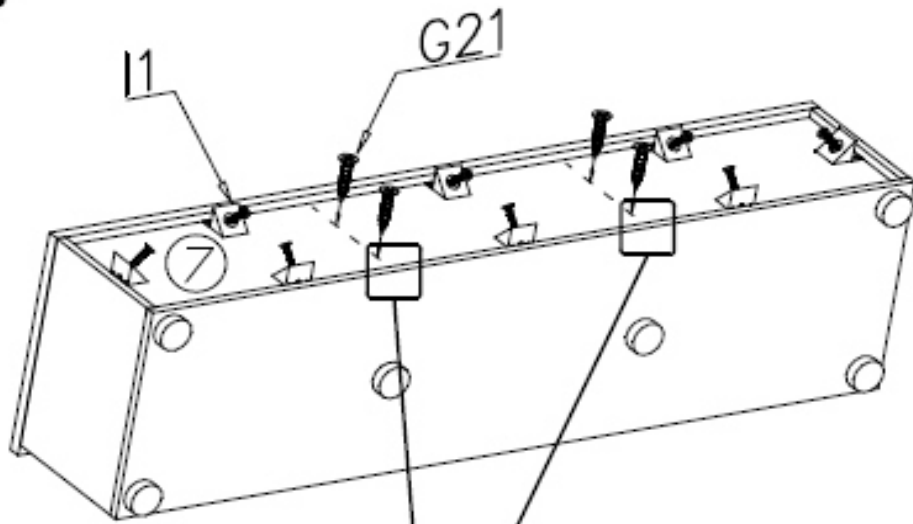


IV



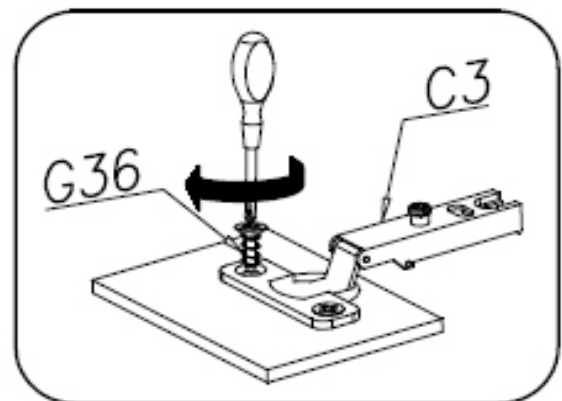
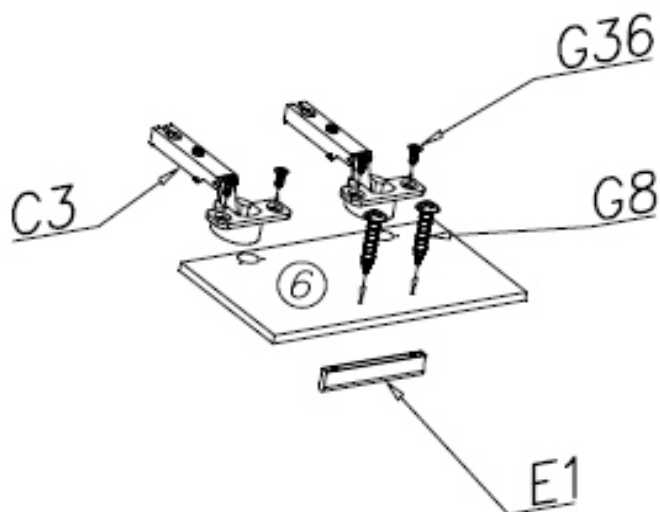


V



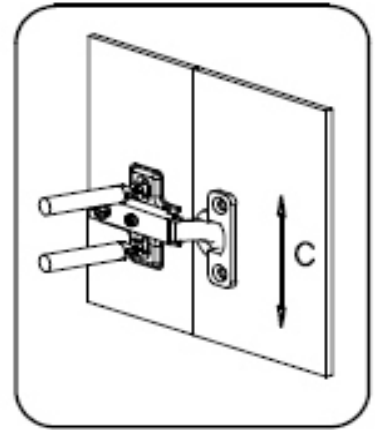
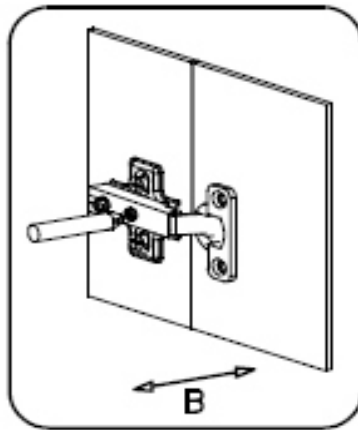
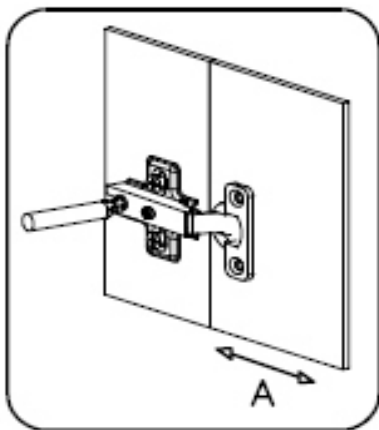
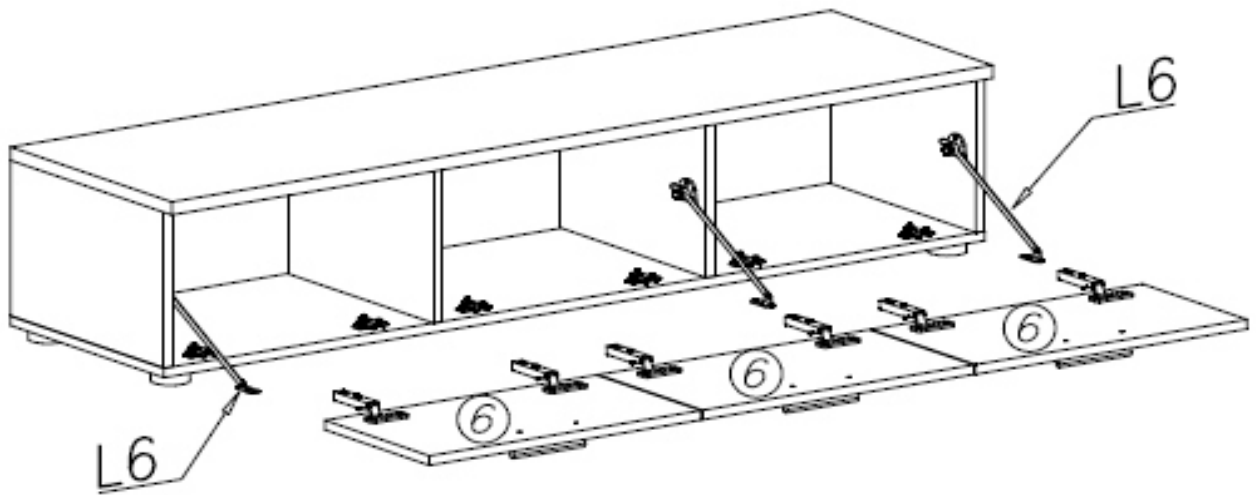
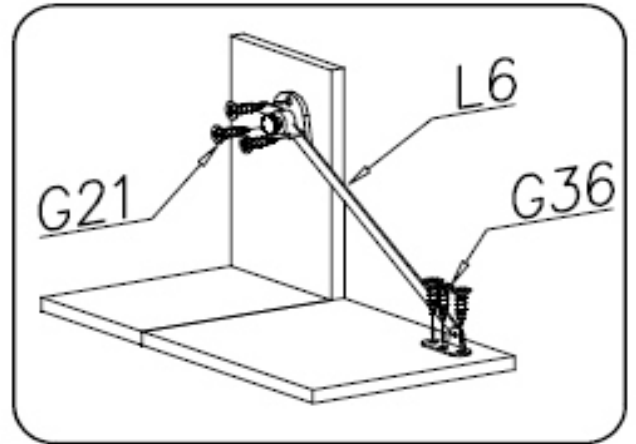
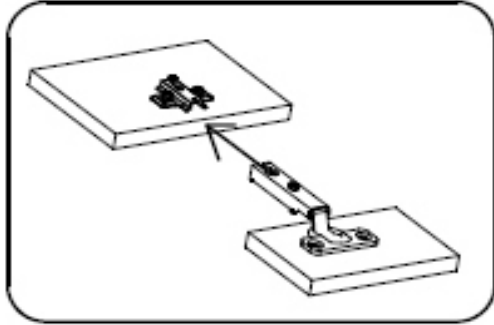
$$a = b$$

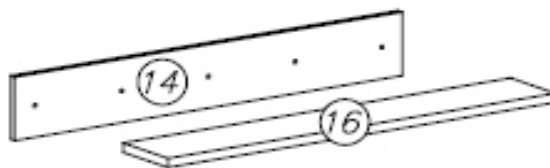
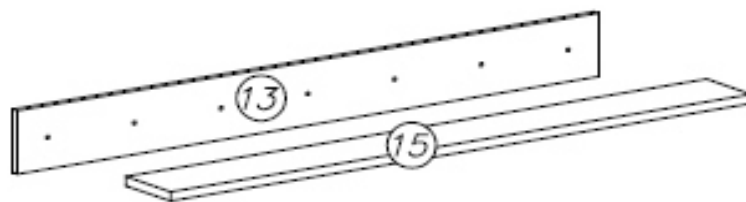
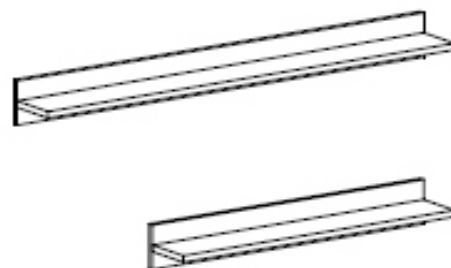
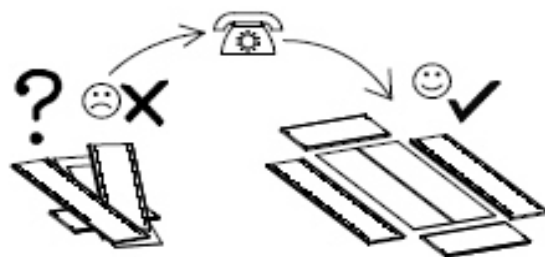
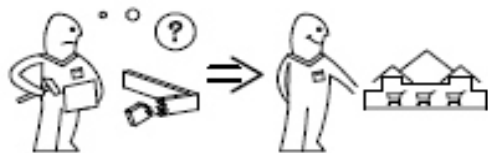
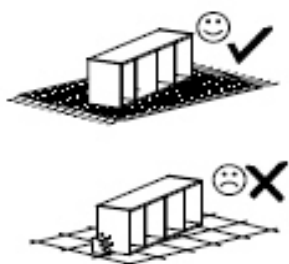
VI

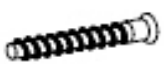





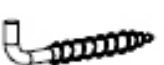
VII








A1 
 ø7x50 x...(12)

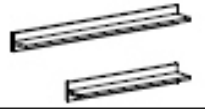
U1 
 x...(5)

U7 
 x...(5)

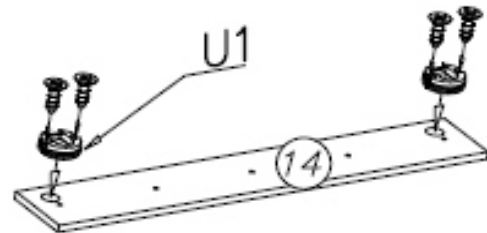
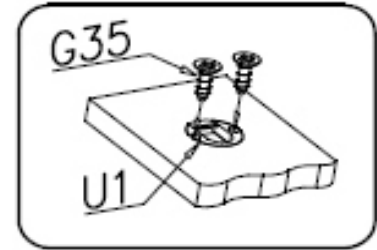
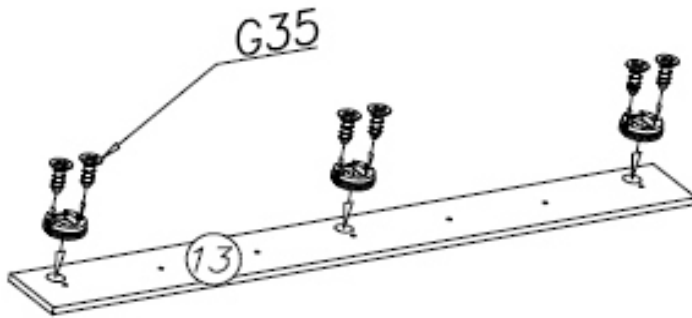
U8 
 ø10x60 x...(5)

G35 
 6x9 x...(10)

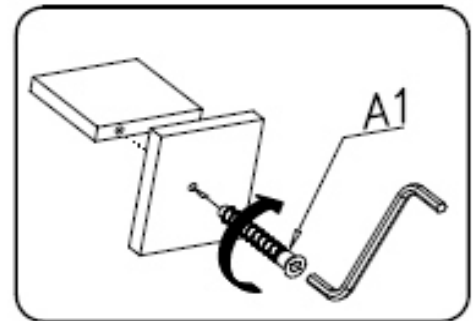
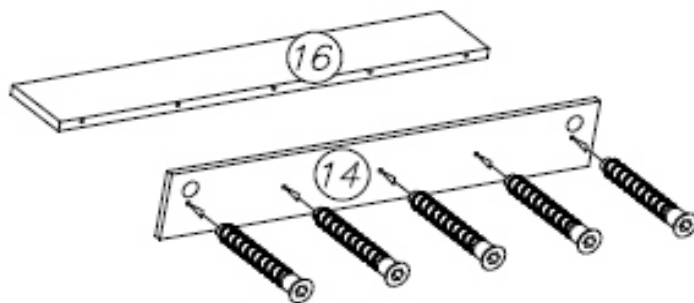
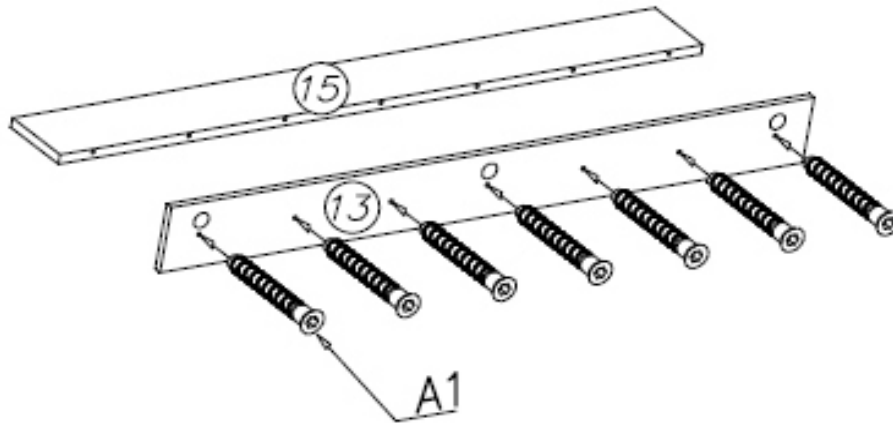
W2 
 x...(1)



I

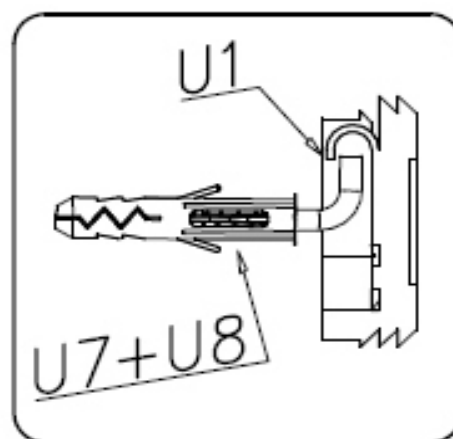
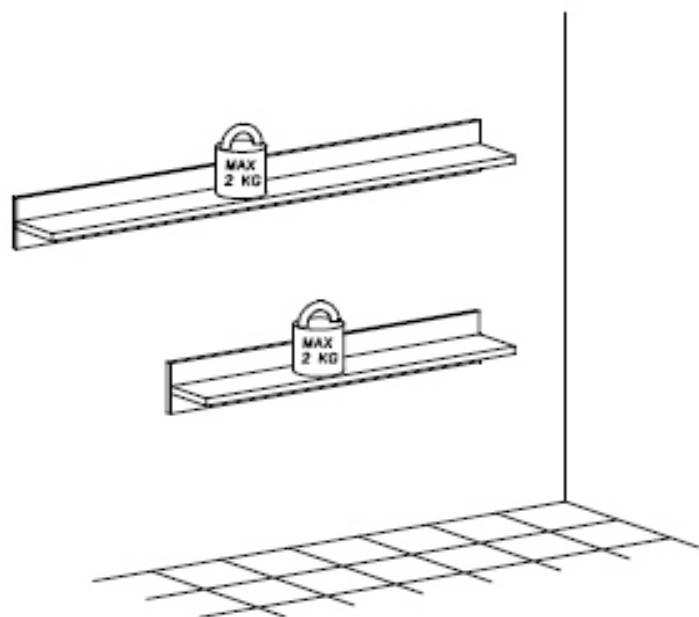
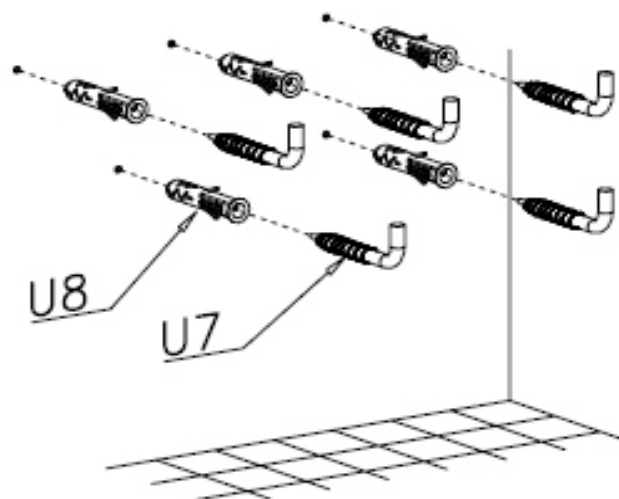
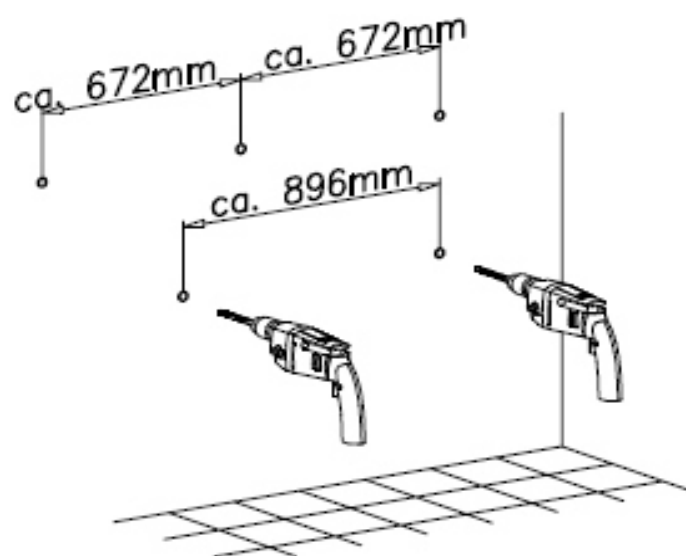
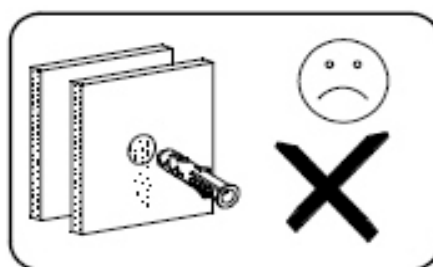
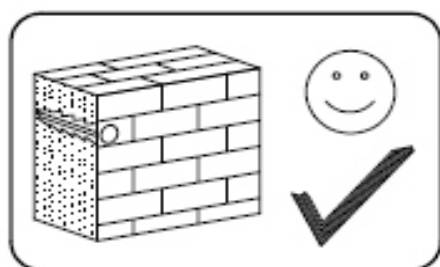


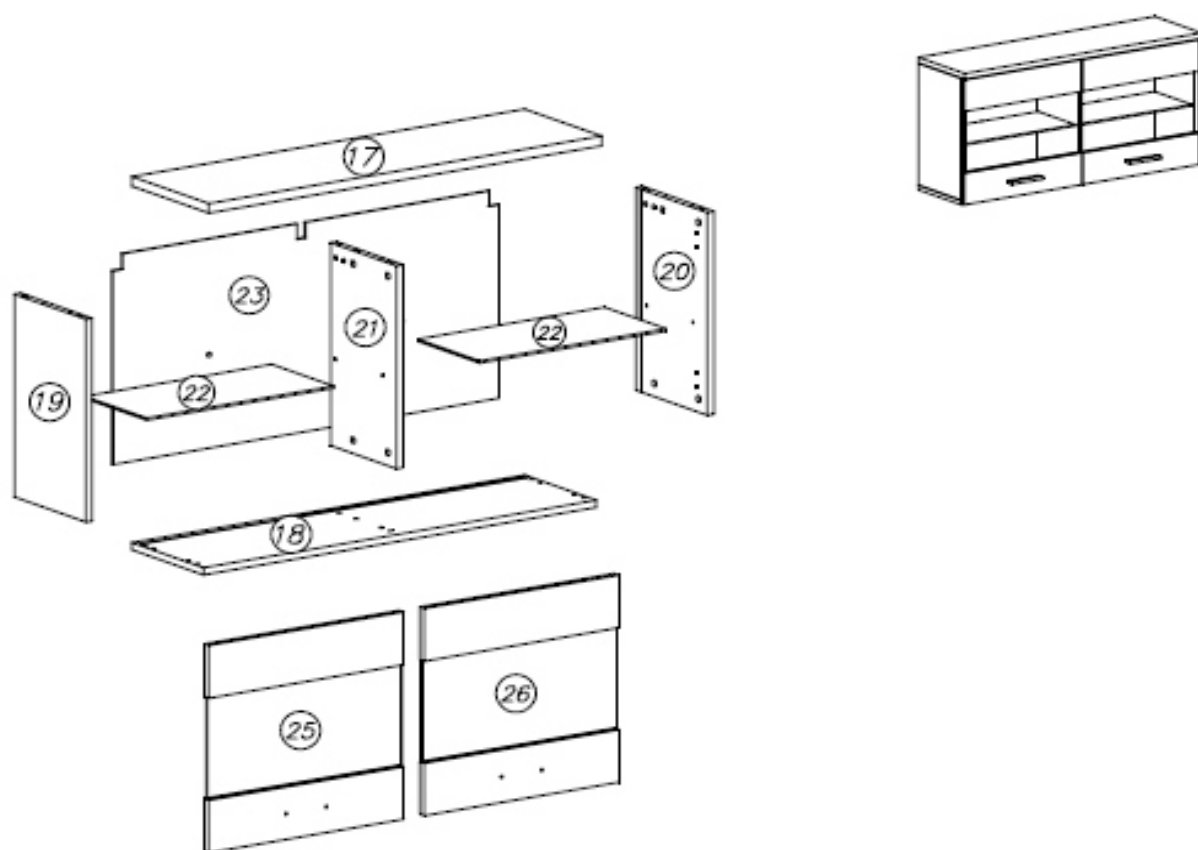
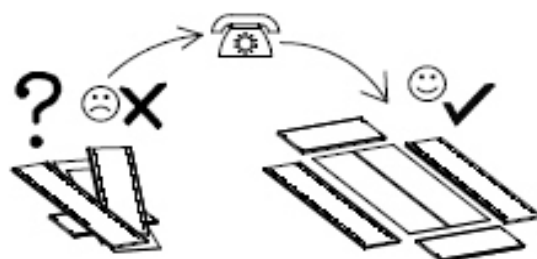
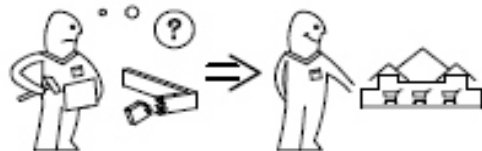
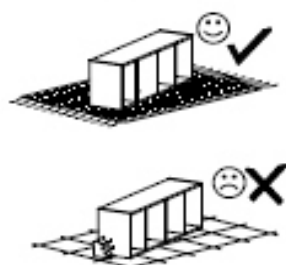
II

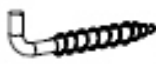










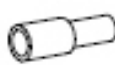
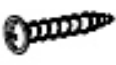
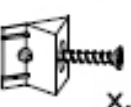









III

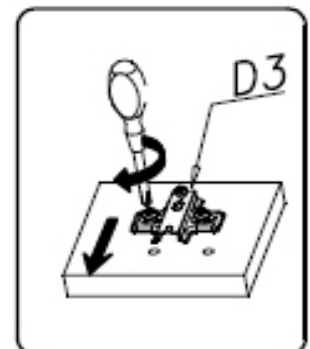
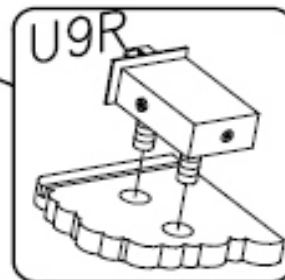
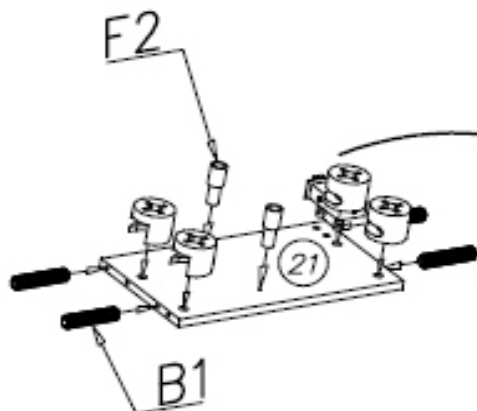
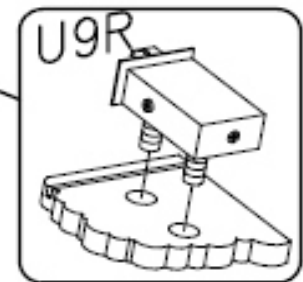
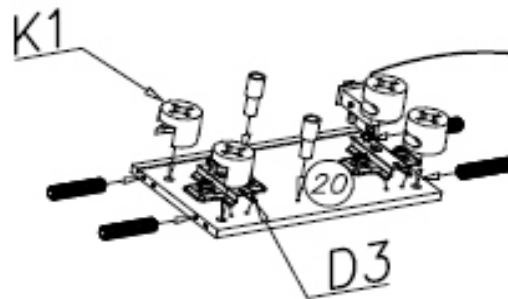
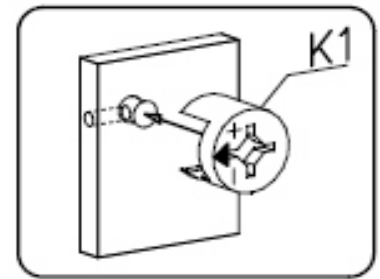
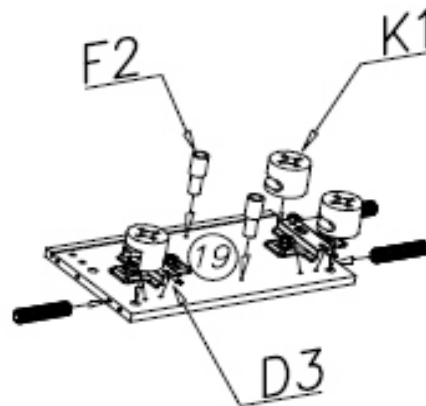
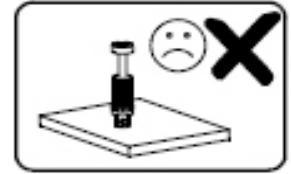
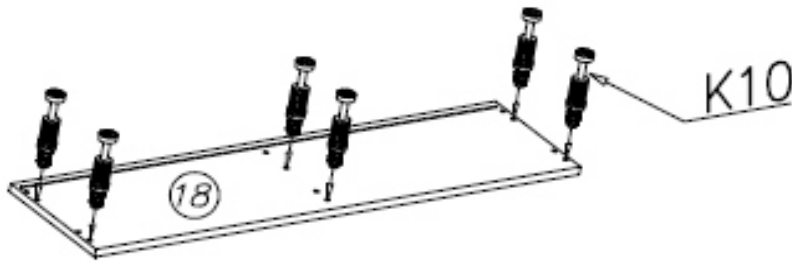
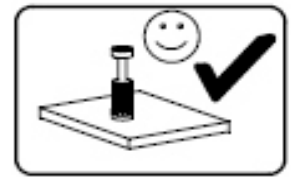
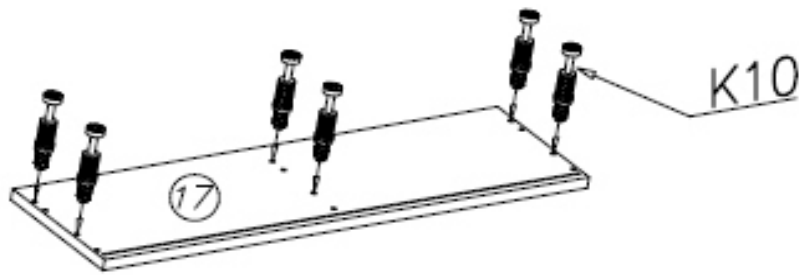




U7  x...(3)	U8  Ø10x60 x...(3)	U10L  x...(1)	U9R  x...(2)	U9L  x...(1)
U10R  x...(2)	G21  3x16 x...(5)	G36  3,5x13 x...(8)	W5  LED x...(2)	W13  x...(1)
K1  Ø15x12 x...(12)	F2  x8	G8  4x30 x...(4)	I1  x...(6)	
K10  x...(12)	B1  Ø8x35 x...(12)	C3  Z35PR x...(4)	D3  PZ35PR x...(4)	E1  128mm x...(2)

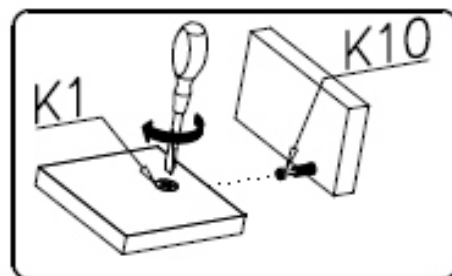
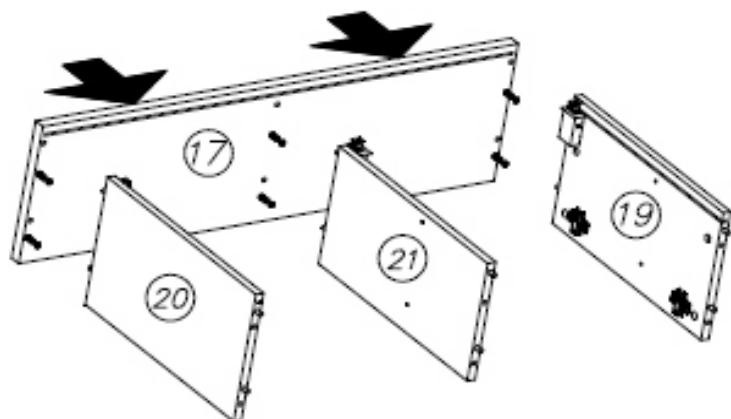


I

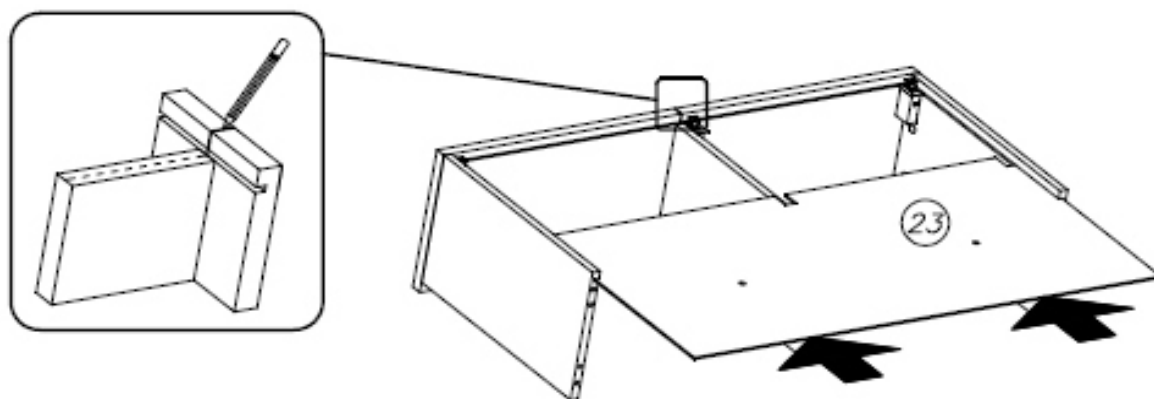




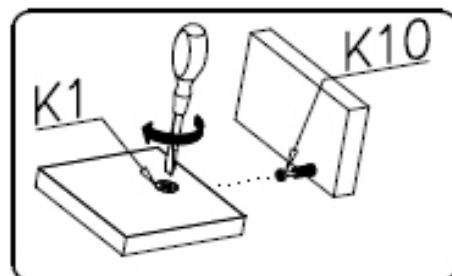
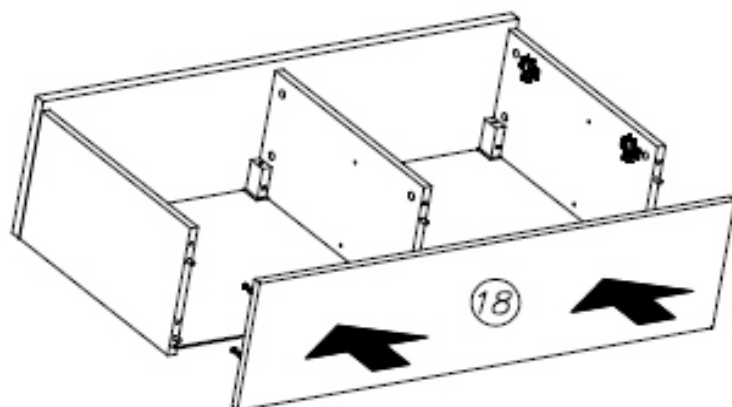
II



III

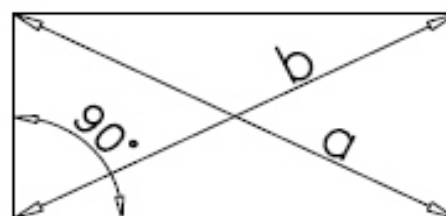
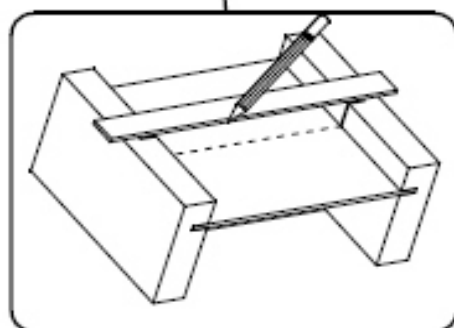
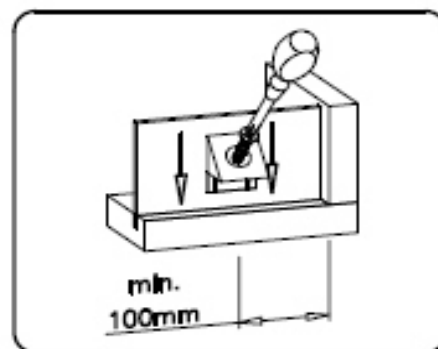
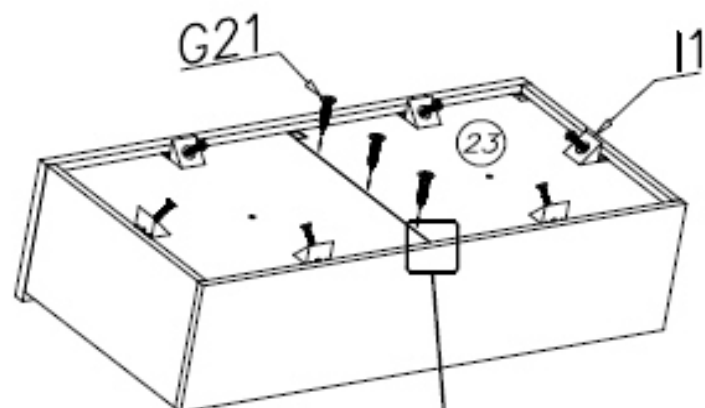


IV



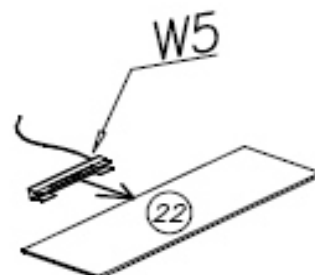
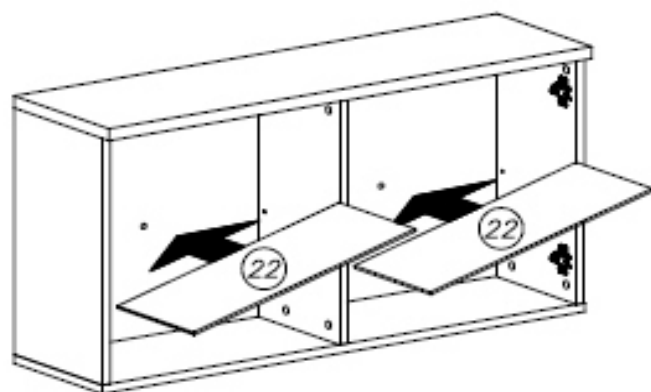


V



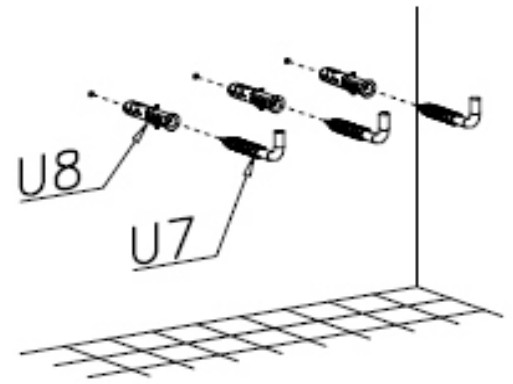
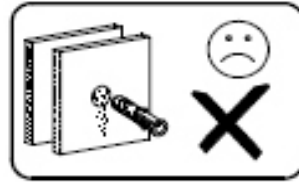
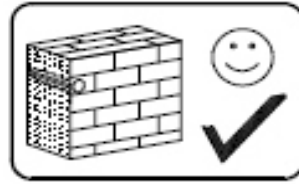
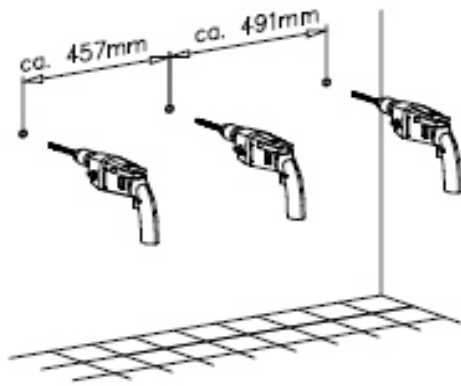
$$a = b$$

VI

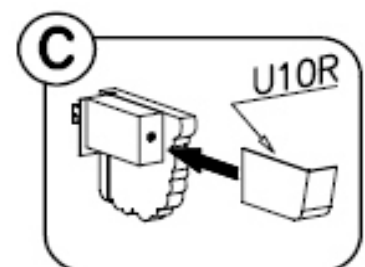
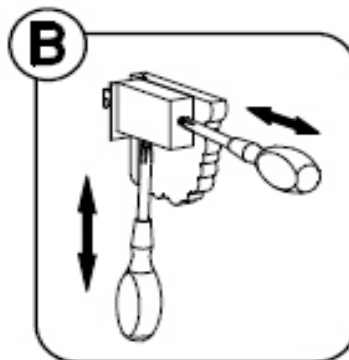
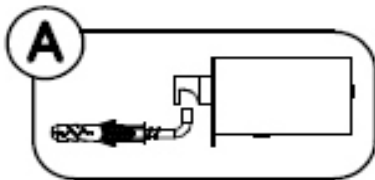
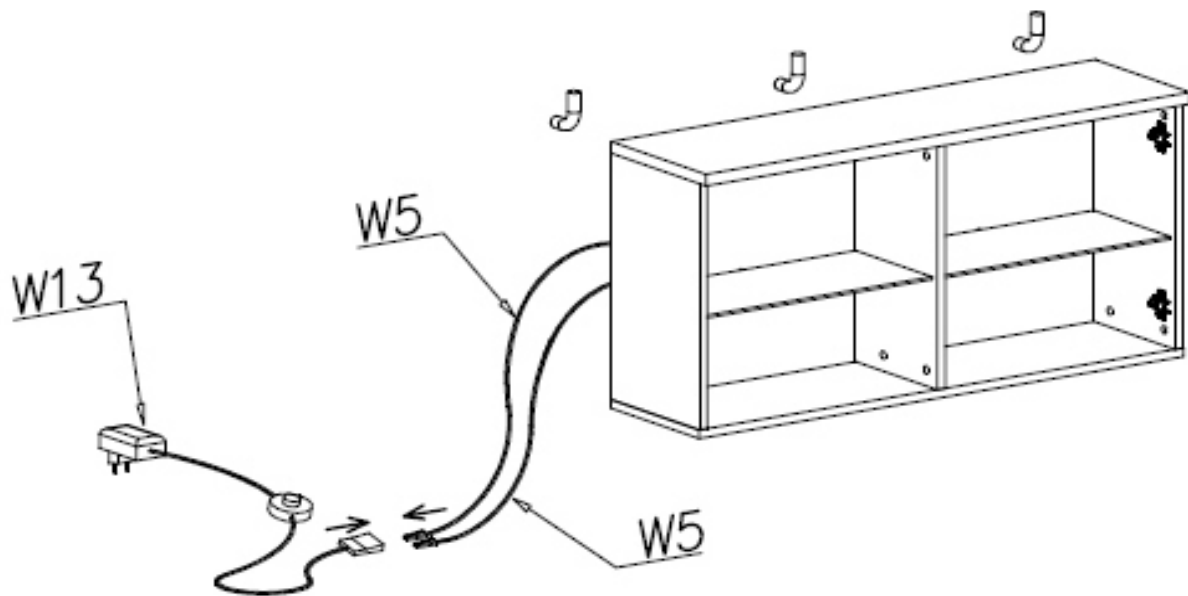




VII

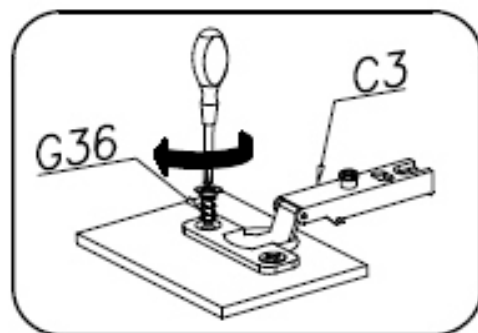
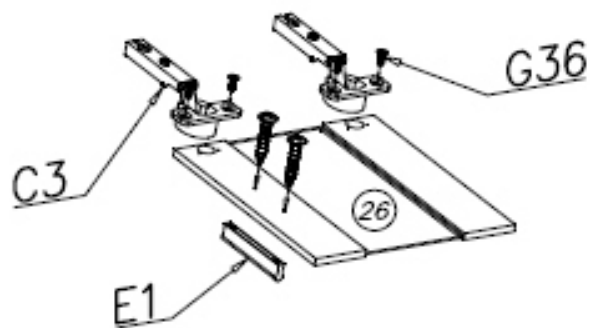
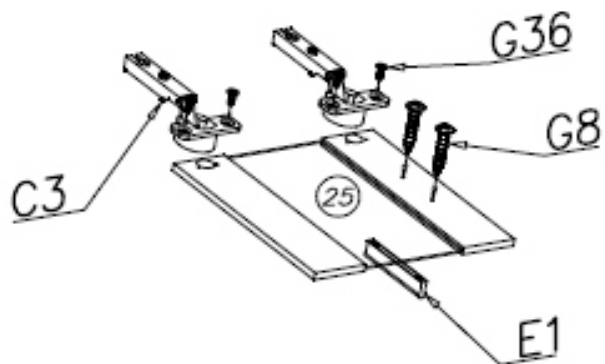


VIII

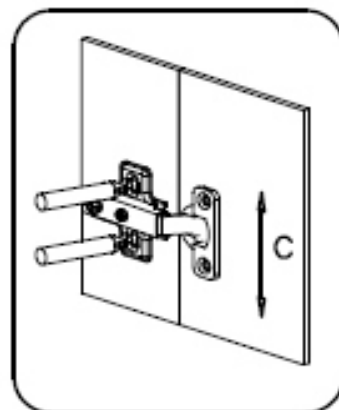
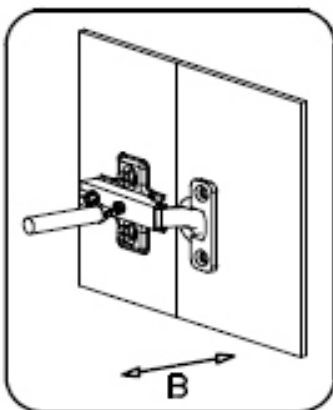
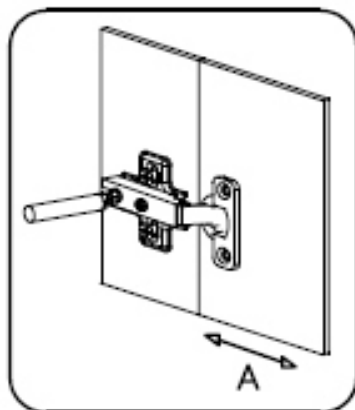
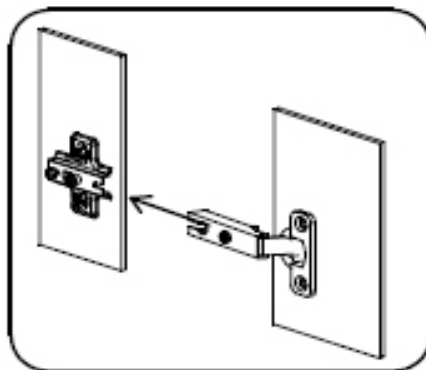
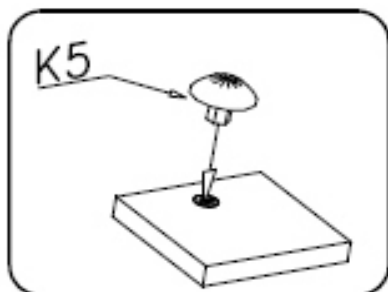
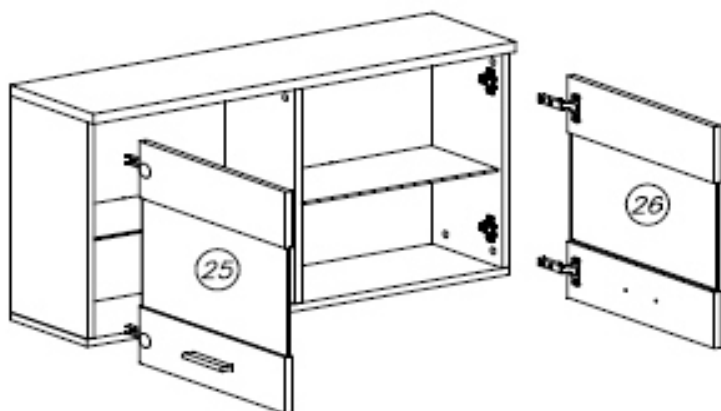


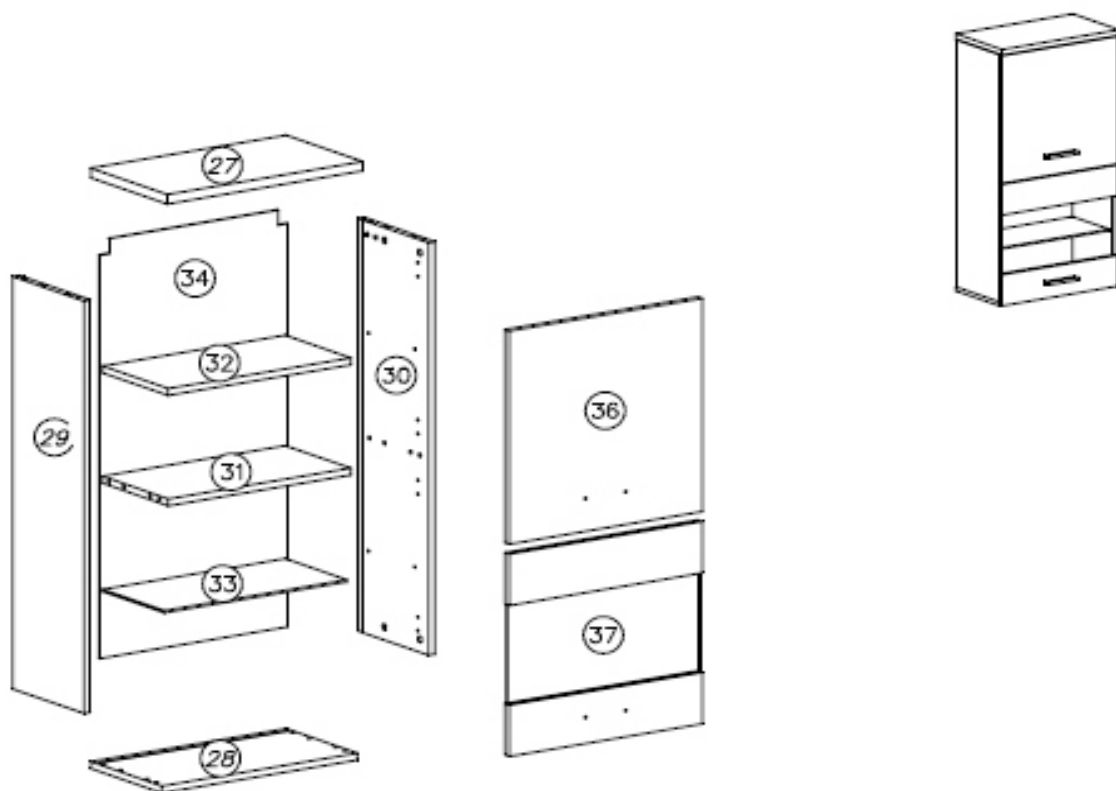
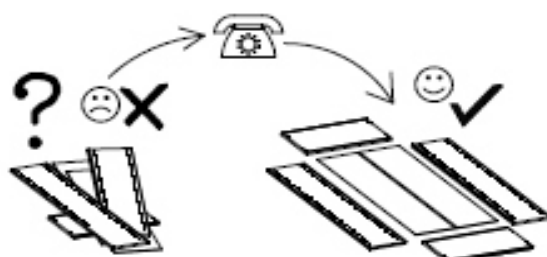
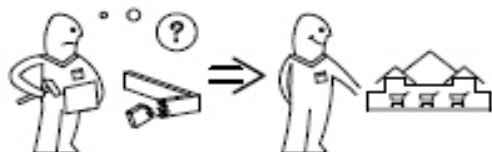
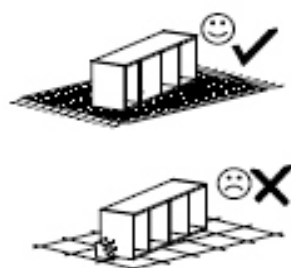


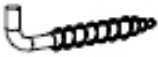









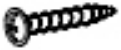







IX



X

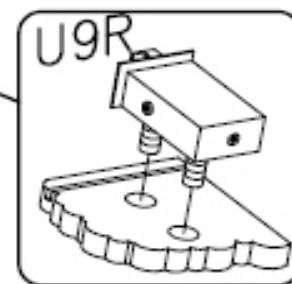
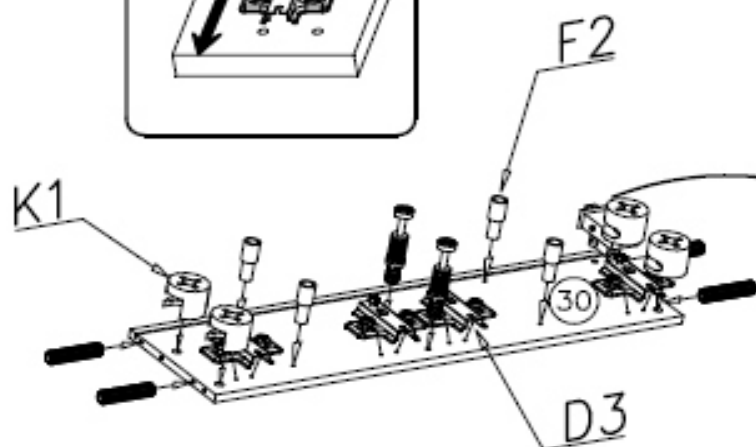
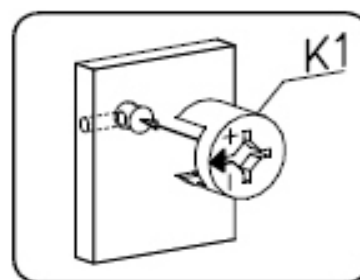
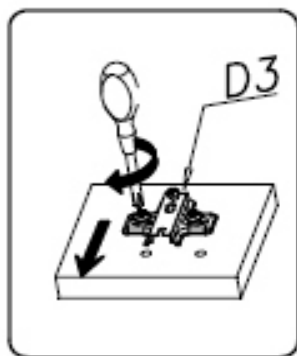
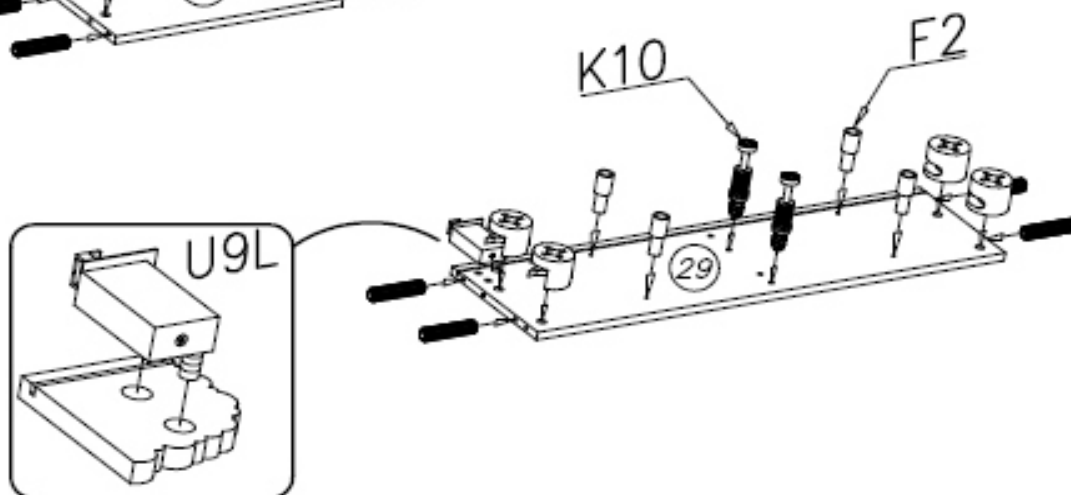
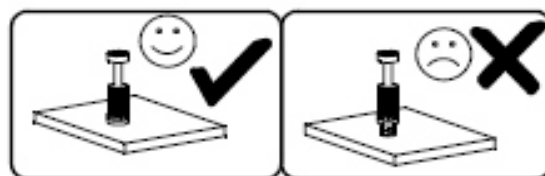
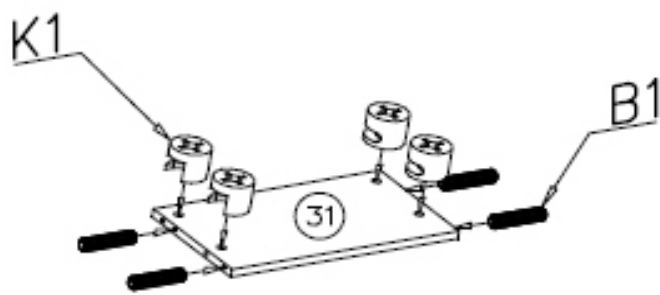
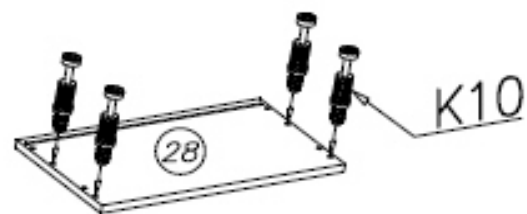
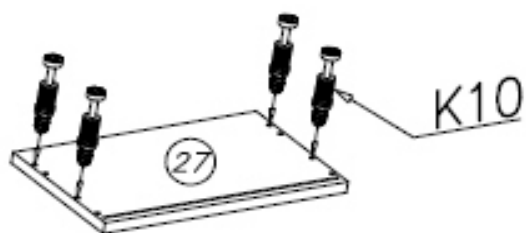




		U7  x...(2)	U8  $\varnothing 10 \times 60$ x...(2)	U10R  x...(1)
U10L  x...(1)	G21  3x16 x...(5)	G36  3,5x13 x...(8)	W5  LED x...(1)	U9L  x...(1)
K1  $\varnothing 15 \times 12$ x...(12)	F2  x8	G8  4x30 x...(4)	I1  x...(6)	U9R  x...(1)
K10  x...(12)	B1  $\varnothing 8 \times 35$ x...(12)	C3  Z35PR x...(4)	D3  PZ35PR x...(4)	E1  128mm x...(2)

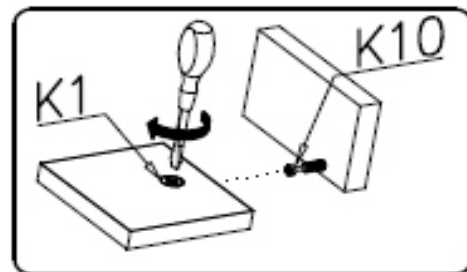
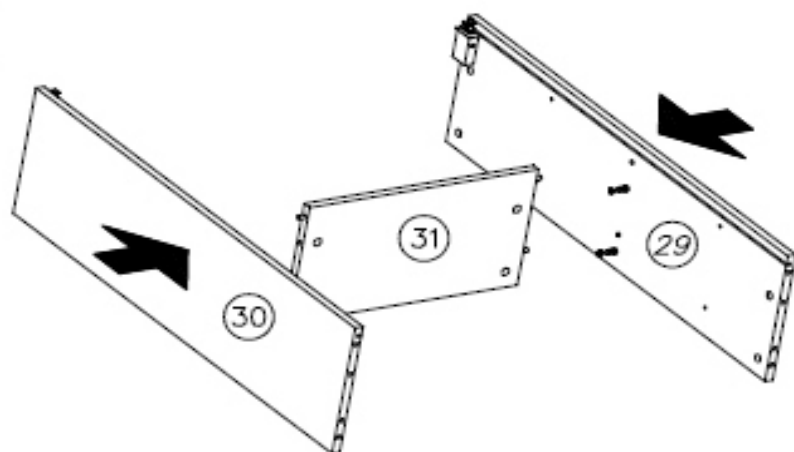


I

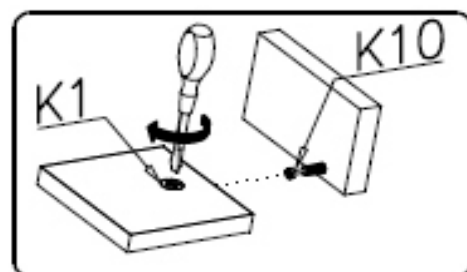
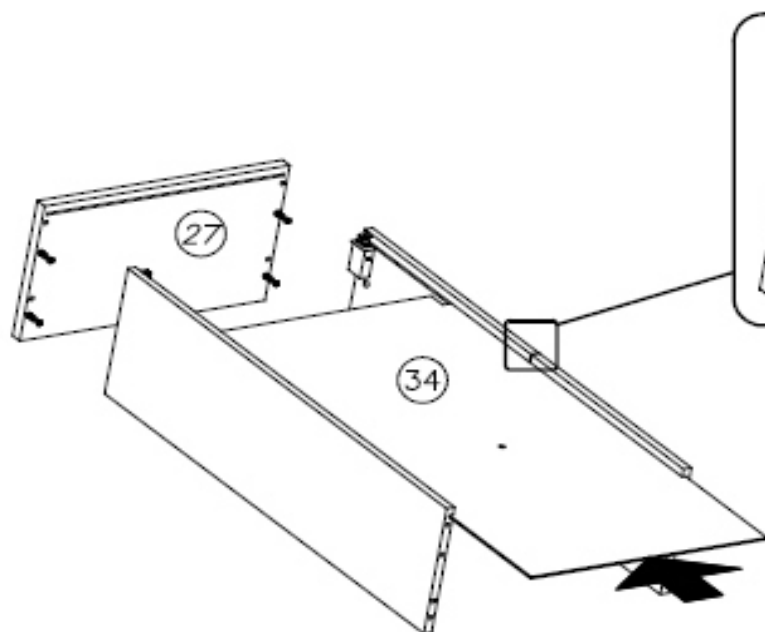




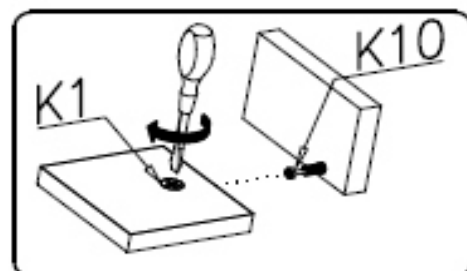
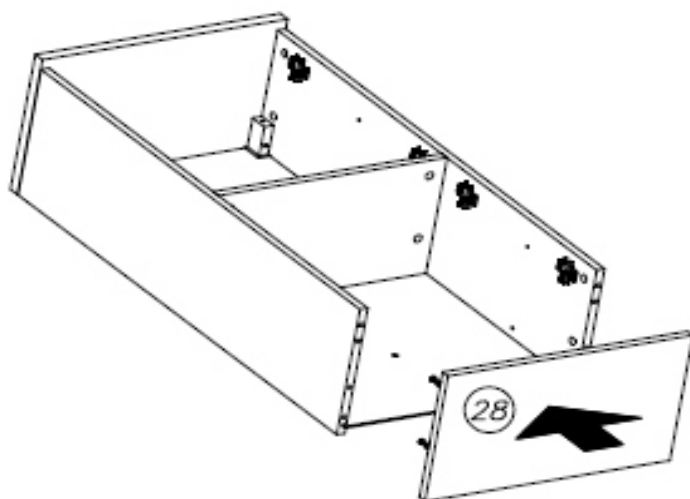
II

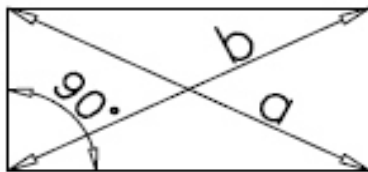
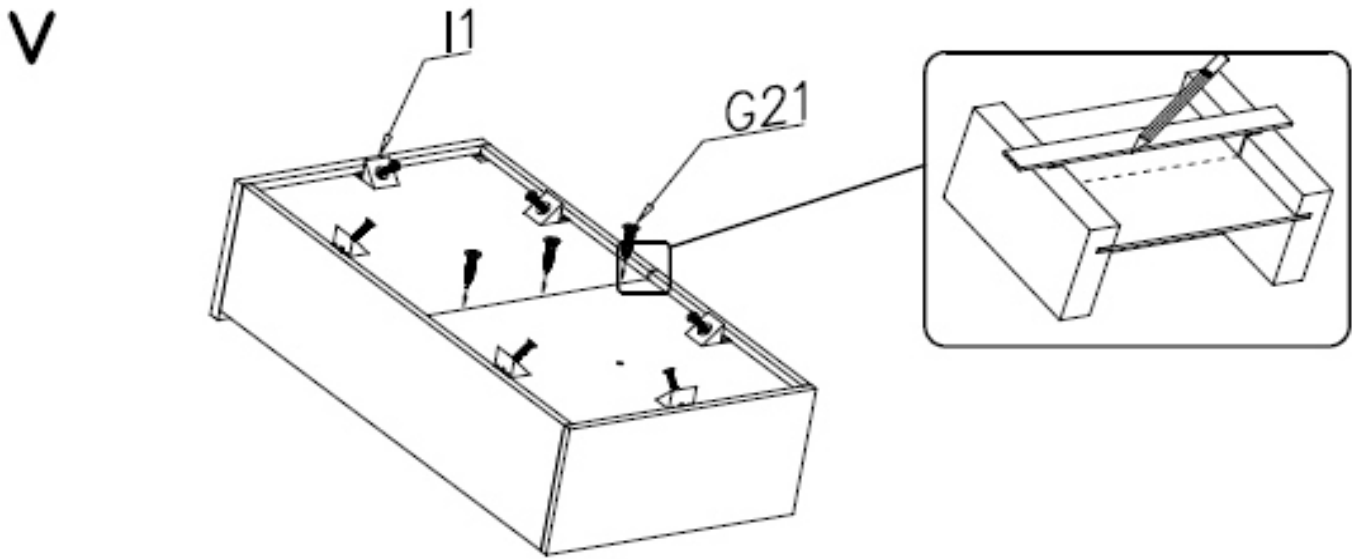


III

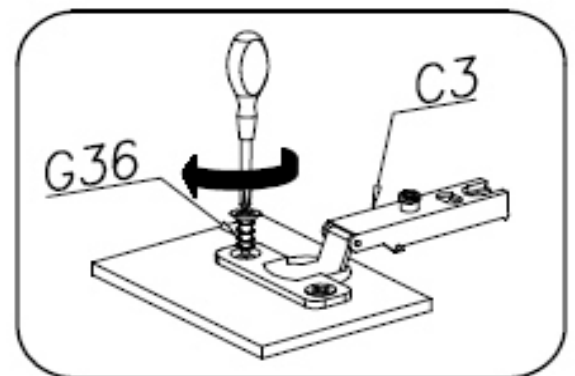
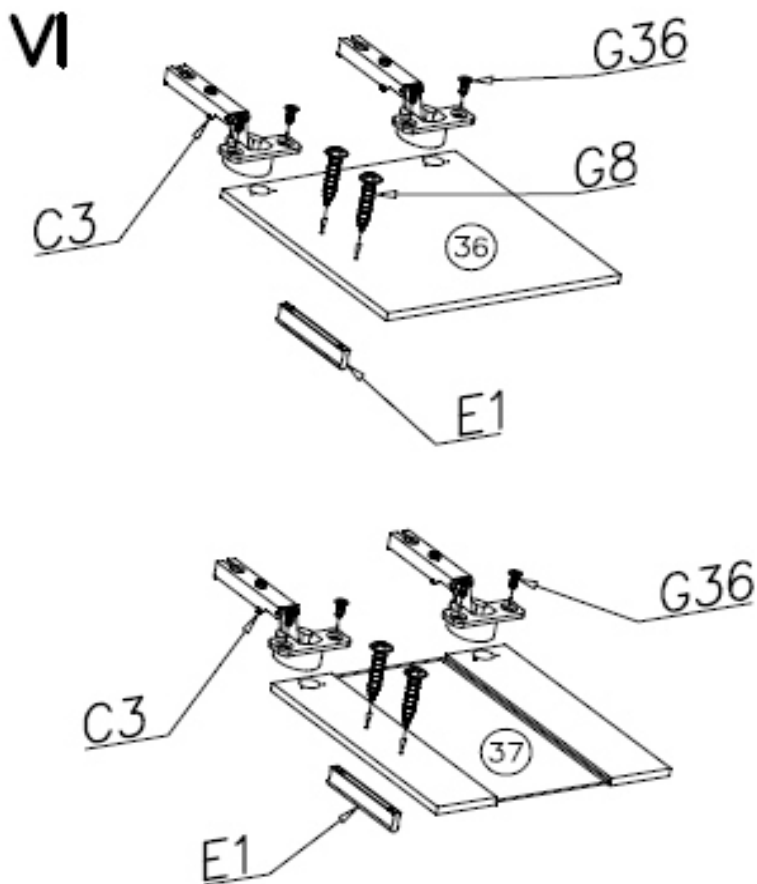
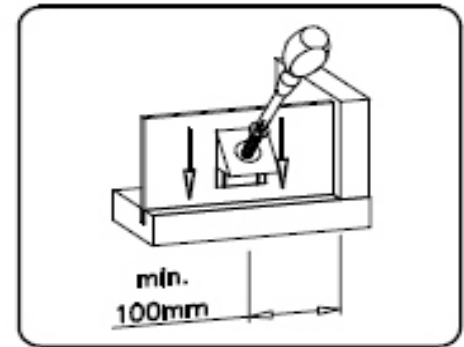


IV



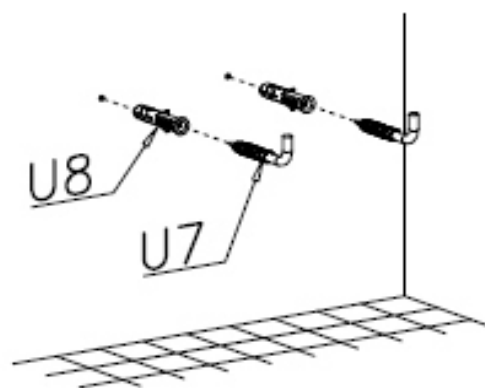
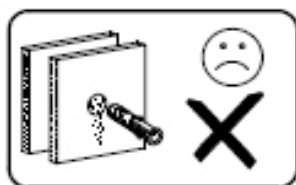
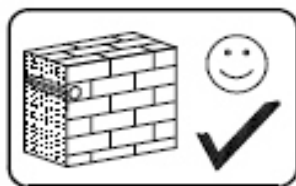
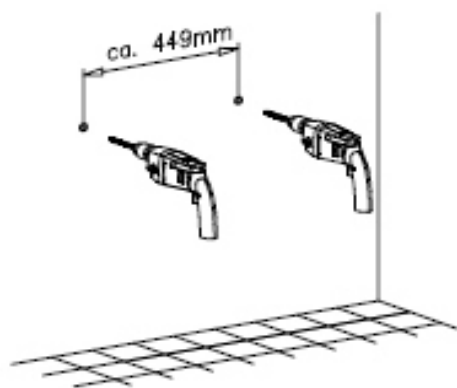


$$a = b$$

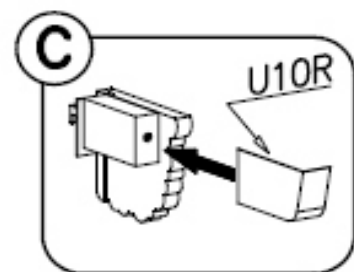
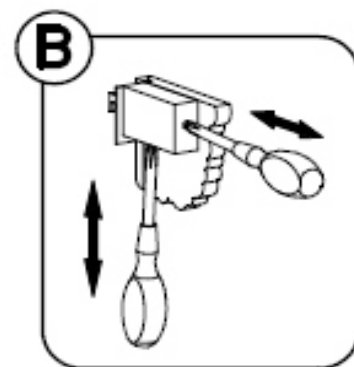
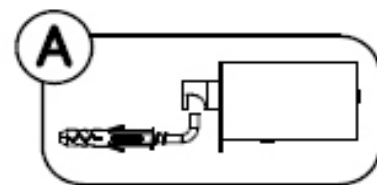
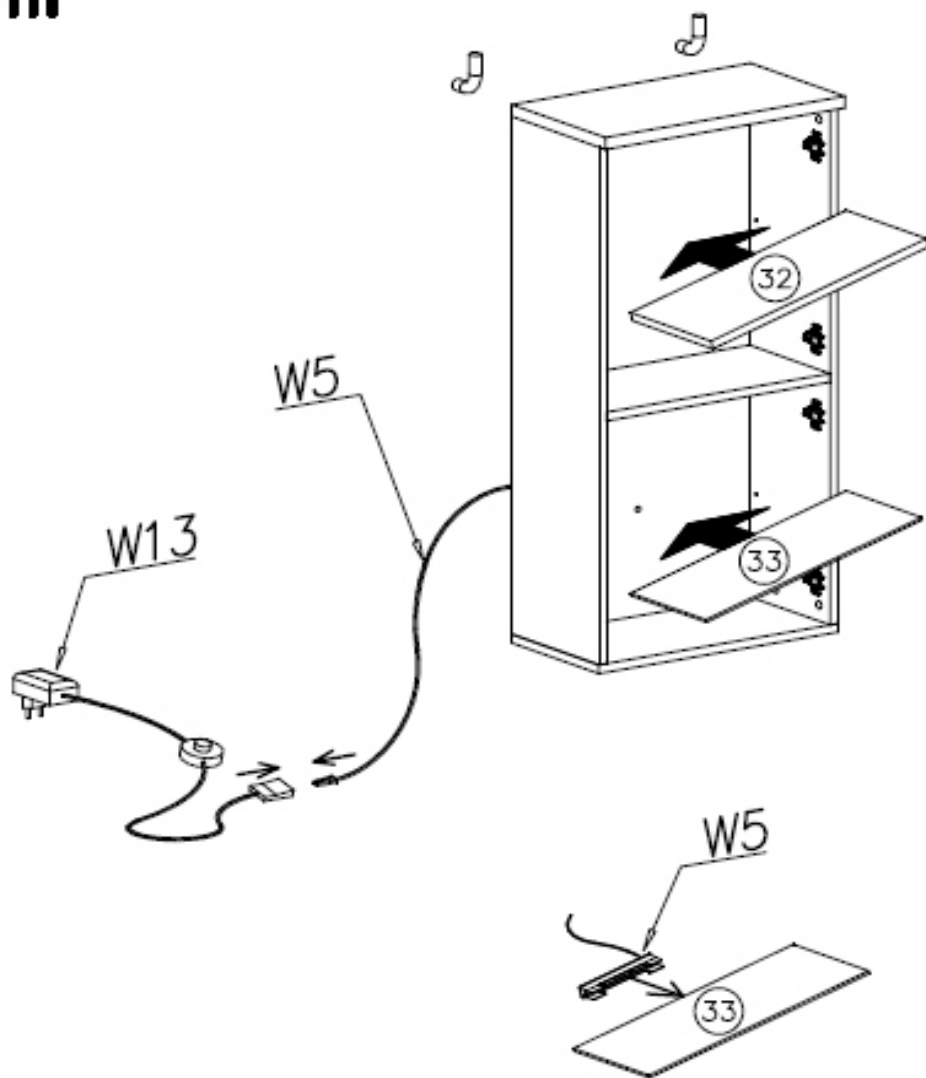




VII



VIII





IX

